

Warning, Offer of Sale

 WARNING

FAILURE OR IMPROPER SELECTION OR IMPROPER USE OF THE PRODUCTS AND/OR SYSTEMS DESCRIBED HEREIN OR RELATED ITEMS CAN CAUSE DEATH, PERSONAL INJURY AND PROPERTY DAMAGE.

This document and other information from Parker Hannifin Corporation, its subsidiaries and authorized distributors provide product and/or system options for further investigation by users having technical expertise. It is important that you analyze all aspects of your application including consequences of any failure, and review the information concerning the product or system in the current product catalog. Due to the variety of operating conditions and applications for these products or systems, the user, through its own analysis and testing, is solely responsible for making the final selection of the products and systems and assuring that all performance, safety and warning requirements of the application are met.

The products described herein, including without limitation, product features, specifications, designs, availability and pricing, are subject to change by Parker Hannifin Corporation and its subsidiaries at any time without notice.

Offer of Sale

The items described in this document are hereby offered for sale by Parker Hannifin Corporation, its subsidiaries or its authorized distributors. This offer and its acceptance are governed by the provisions stated on the separate page of this document entitled "Offer of Sale".

© Copyright 2011, 2008, 2001 Parker Hannifin Corporation. All Rights Reserved



Table of Contents

QUBE Modular FRL System	A QUBE Modular FRL System
Air Preparation Units	B Air Preparation Units
Precision and Proportional Regulators	C Precision & Proportional Regulators
Miniature FRL's	D Miniature FRLs
Stainless Steel FRL's	E Stainless Steel FRLs
Control Panel Products	F Control Panels
LV / EZ Lockout Valves	G LV / EZ Lockout Valves
Integrated Fittings	H Integrated Fittings
Accessories	J Accessories
Ball Valves / Plug Valves	K Ball Valves / Plug Valves
Quick Couplings	L Quick Couplings
Hose & Fittings	M Hose & Fittings
Tubing & Fittings	N Tubing & Fittings
Safety Guide, Offer of Sale	P Safety Guide, Offer of Sale



Stainless Steel FRLs Air Preparation Units

Section E



E

Air Line Filters

- Miniature F504 E2-E3
- Standard F10 E4-E5

Air Line Coalescing Filters

- Miniature F501 E6-E7
- Standard F11 E8-E9

Air Line Regulators

- Miniature R354, R364 E10-E11
- Standard R10, R11 E12-E13

Filter / Regulator

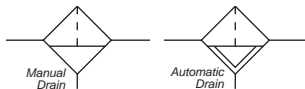
- Miniature B548, B558 E14-E15
- Standard B11, B12 E16-E17

Air Line Lubricators

- Standard L10 E18-E19

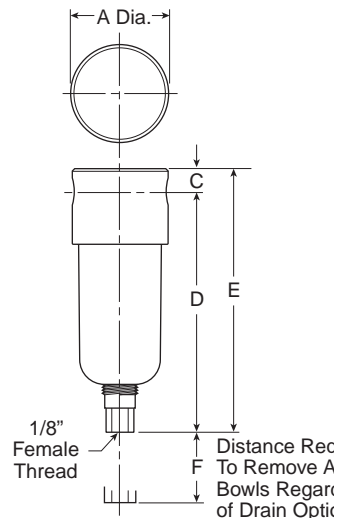


F504 Filter – Miniature



Features

- Stainless Steel Construction Handles Most Corrosive Environments
- Fluorocarbon Seals Standard
- Meets NACE Specifications MR-01-75/ISO 15156
- 1/8" Female Threaded Drain
- High Flow: 1/4" - 23 SCFM[§]



Port Size	NPT	BSPB
	Manual Twist Drain	Manual Twist Drain
1/4"	F504-02DHSS	F504G02DHSS

F504 Filter Dimensions		
A	C	D
1.56 (40)	0.31 (8)	3.69 (94)
E	F	
4.00 (102)	1.58 (40)	

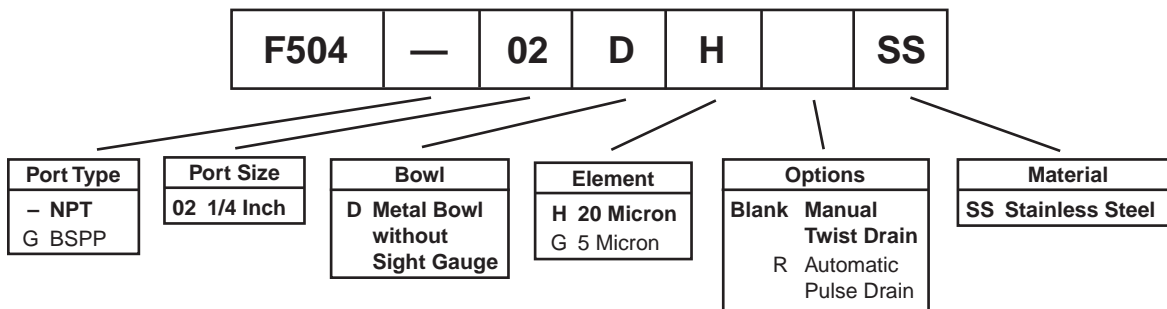
Bold Items are Most Popular.

For other models refer to ordering information below.

[§] SCFM = Standard cubic feet per minute at 90 PSIG inlet and 5 PSIG pressure drop.

inches
(mm)

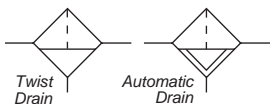
Ordering Information



BOLD ITEMS ARE MOST POPULAR.

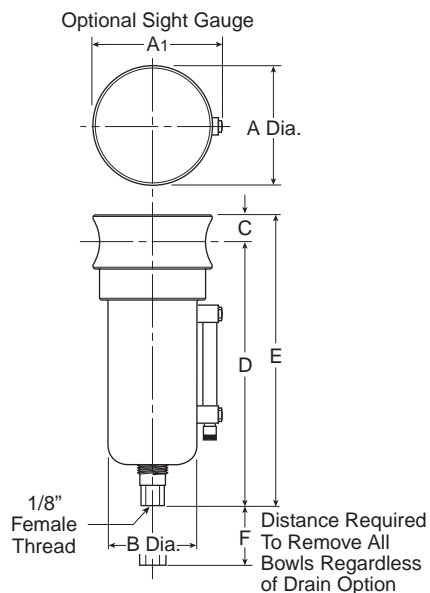


F10 Filter – Standard



Features

- Stainless Steel Construction Handles Most Corrosive Environments
- Meets NACE Specifications MR-01-75/ISO 15156
- 1/8" Female Threaded Drain
- Low Temperature Version Available
- High Flow: 1/2" - 70 SCFM[§]



E

Port Size	NPT		BSPP	
	Manual Twist Drain	Automatic Float Drain	Manual Twist Drain	Automatic Float Drain
1/2"	Metal Bowl With Sight Gauge			
	F10-04WJSS	F10-04WJRSS	F10G04WJSS	F10G04WJRSS

F10 Filter Dimensions		
A 2.38 (60)	A1 2.50 (64)	B 1.75 (44)
C .56 (14)	D 5.00 (127)	E 5.56 (141)
F 2.12 (54)		

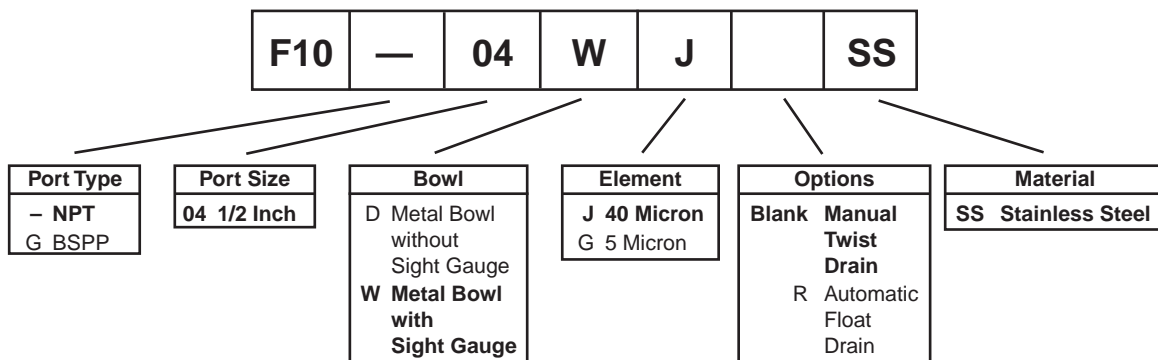
Bold Items are Most Popular.

For other models refer to ordering information below.

[§] SCFM = Standard cubic feet per minute at 90 PSIG inlet and 5 PSIG pressure drop.

inches
(mm)

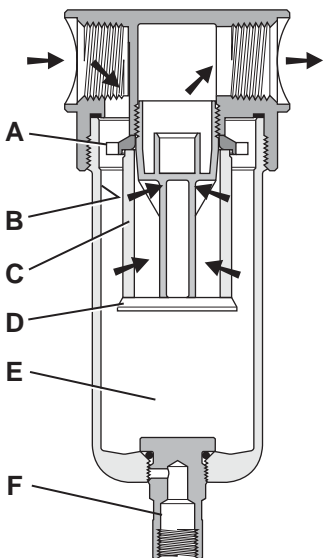
Ordering Information



BOLD ITEMS ARE MOST POPULAR.



Operation



First Stage Filtration:

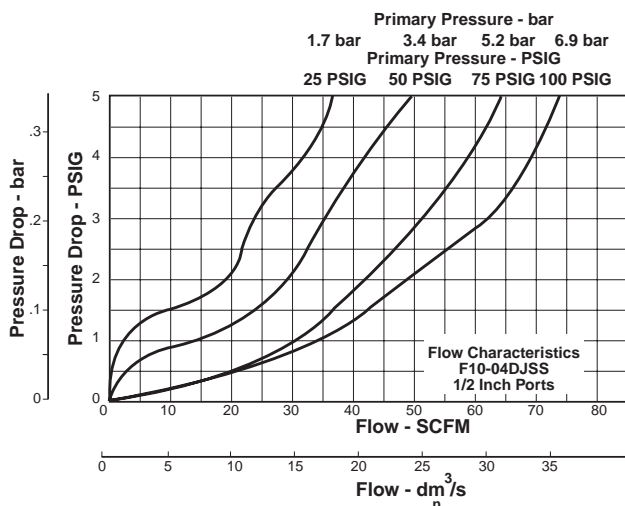
Air enters at inlet port and flows through deflector plate (A) which causes a swirling action. Liquids and coarse particles are forced to the bowl interior wall (B) by the centrifugal action of the swirling air. They are then carried down the bowl wall by the force of gravity. The baffle (D) separates the lower portion of the bowl into a “quiet zone” (E) where the removed liquid and particles collect, unaffected by the swirling air, and are therefore not reentrained into the flowing air.

Second Stage Filtration:

After liquids and large particles are removed in the first stages of filtration, the air flows through element (C) where smaller particles are filtered out. The filtered air then passes downstream. Collected liquids and particles in the “quiet zone” (E) should be drained before their level reaches a height where they would be reentrained in the flowing air. This can be accomplished by unscrewing the drain valve (F) slightly until the liquid begins to drain.



Technical Information



F10 Filter Kits & Accessories

Drain Kits –

- Automatic Float Drain SA10MDSS
- Manual Twist Drain–
- Small (Old) SA600Y7-1SS
- Large (New) SAP05481

Filter Element Kits –

- Particulate (40 Micron) EK55J
- Particulate (5 Micron) EK55G

Pipe Nipple – 1/2" 316 Stainless Steel 616A28-SS

Specifications

- Bowl Capacity 4.0 Ounces
- Filter Rating 40 Micron
- Sump Capacity 1.7 Ounce
- Port Threads 1/2 Inch
- Pressure & Temperature Ratings –
- Manual Twist Drain (D) 0 to 300 PSIG (0 to 20.7 bar)
0°F to 180°F (-18°C to 82°C)

- Manual Twist Drain (W)..... 0 to 250 PSIG (0 to 17.2 bar)
0°F to 150°F (-18°C to 66°C)
- Automatic Float Drain 15 to 175 PSIG (1 to 12 bar)
32°F to 150°F (0°C to 66°C)

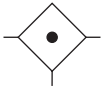
Note: Air must be dry enough to avoid ice formation at temperatures below 32°F (0°C).

Weight 1.9 lb. (0.85 kg)

Materials of Construction

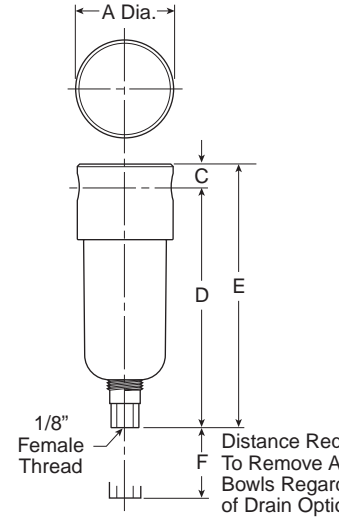
- Body316 Stainless Steel
- Bowls316 Stainless Steel
- Deflector Acetal
- Drain316 Stainless Steel
- Element Holder Acetal
- Filter Element Polyethylene
- Seals Fluorocarbon
- Sight Gauge Isoplast

F501 Coalescing Filter – Miniature



Features

- Stainless Steel Construction Handles Most Corrosive Environments
- Meets NACE Specifications MR-01-75/ISO 15156
- 1/8" Female Threaded Drain
- High Flow: 1/4" - 16 SCFM[§]



E

Port Size	NPT	BSPB
	Manual Twist Drain	Manual Twist Drain
1/4"	F501-02DHSS	F501G02DHSS

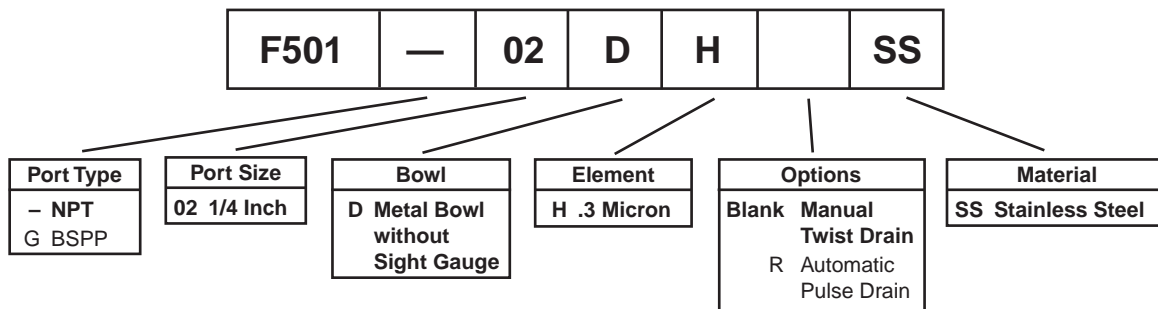
F501 Coalescing Filter Dimensions		
A	C	D
1.56 (40)	0.31 (8)	3.69 (94)
E	F	
4.00 (102)	1.58 (40)	

Bold Items are Most Popular.
 For other models refer to ordering information below.

[§] SCFM = Standard cubic feet per minute at 90 PSIG inlet and 5 PSIG pressure drop.

inches
(mm)

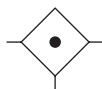
Ordering Information



BOLD ITEMS ARE MOST POPULAR.

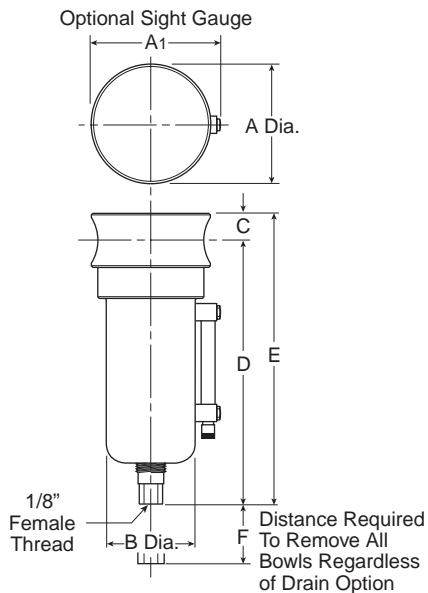


F11 Coalescing Filter – Standard



Features

- Stainless Steel Construction Handles Most Corrosive Environments
- Meets NACE Specifications MR-01-75/ISO 15156
- 1/8" Female Threaded Drain
- Low Temperature Version Available
- High Flow: 1/2" - 45 SCFM[§]



Port Size	NPT		BSPP	
	Manual Twist Drain	Automatic Float Drain	Manual Twist Drain	Automatic Float Drain
1/2"	Metal Bowl With Sight Gauge			
	F11-04WJSS	F11-04WJRSS	F11G04WJSS	F11G04WJRSS

Bold Items are Most Popular.

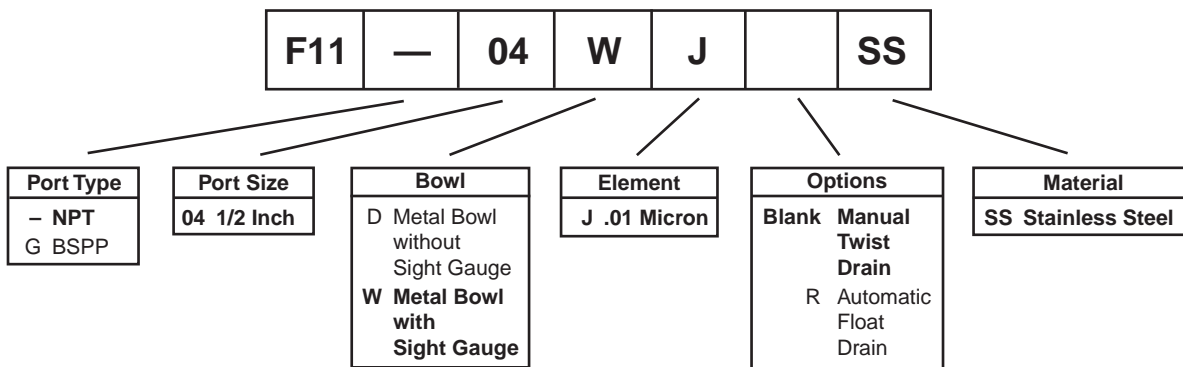
For other models refer to ordering information below.

[§] SCFM = Standard cubic feet per minute at 90 PSIG inlet and 5 PSIG pressure drop.

F11 Coalescing Filter Dimensions		
A	A1	B
2.38 (60)	2.50 (64)	1.75 (44)
C	D	E
0.56 (14)	5.00 (127)	5.56 (141)
F		
2.12 (54)		

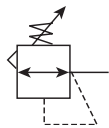
inches
(mm)

Ordering Information



BOLD ITEMS ARE MOST POPULAR.

R354, R364 Regulator – Miniature



Features

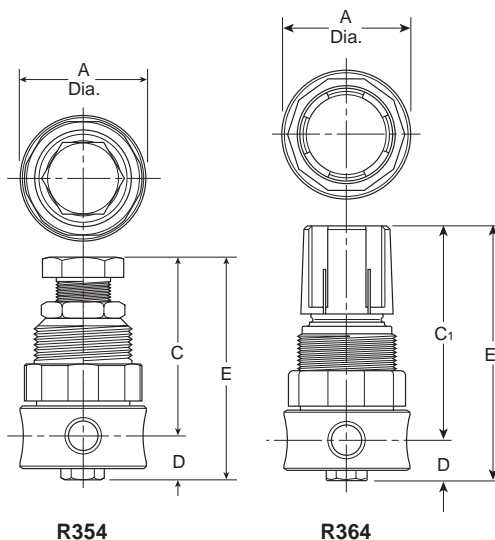
- Stainless Steel Construction Handles Most Corrosive Environments
- Large Diaphragm to Valve Area Ratio for Precise Regulation and High Flow Capacity
- Meets NACE Specifications MR-01-75/ISO 15156
- High Flow: 1/4" – 12 SCFM[§]



R364



R354



E

Series	Adjustment Type	Port Size	NPT	BSPP
R364	Knob	1/4"	R364-02CSS	R364G02CSS
R354	All Metal	1/4"	R354-02CSS	R354G02CSS

R354, R364 Regulator Dimensions		
A	C	C ₁
1.56 (40)	2.00 (51)	2.56 (65)
D	E	E ₁
0.50 (13)	2.50 (64)	3.06 (78)

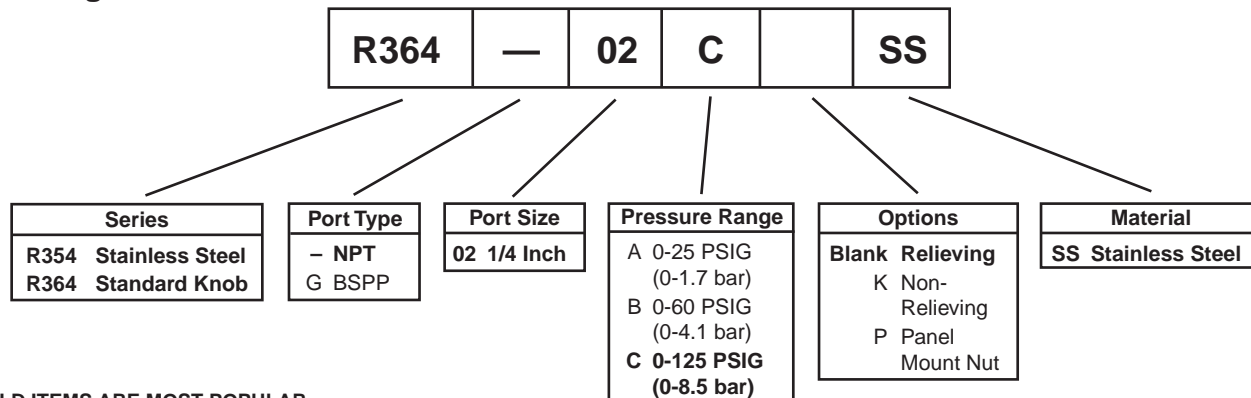
Standard part numbers shown bold. For other models refer to ordering information below.

[§] SCFM = Standard cubic feet per minute at 100 PSIG inlet, 75 PSIG no flow secondary setting and 15 PSIG pressure drop.

inches (mm)
 NOTE: 1.25 Dia. (32mm) hole required for panel mounting.

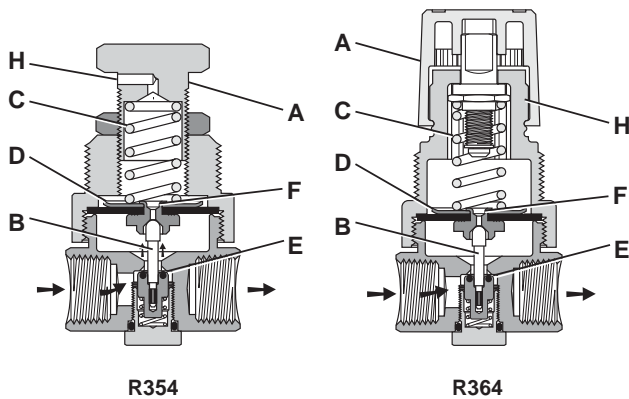
⚠ WARNING
Product rupture can cause serious injury. Do not connect regulator to bottled gas. Do not exceed maximum primary pressure rating.

Ordering Information



BOLD ITEMS ARE MOST POPULAR.

Operation



With the adjusting knob (A) turned fully counter-clockwise (no spring load), and pressure supplied to the regulator inlet port, the valve poppet assembly (B) is closed. Turning the adjusting knob clockwise applies a load to control spring (C). This load causes the diaphragm (D) and the valve poppet assembly (B) to move downward allowing flow across the seat area (E) created between the poppet assembly and the seat. Pressure in the downstream line is sensed below the diaphragm (D) and offsets the load of spring (C). As downstream pressure rises, poppet assembly (B) and diaphragm (D) move upward until the area (E) is closed and the load of the spring (C) and pressure under diaphragm (D) are in balance. A reduced outlet pressure has now been obtained, depending on spring load. Creating a demand downstream, such as opening a valve, results in a reduced pressure under the diaphragm (D). The load of control spring (C) now causes the poppet assembly to move downward opening seat area (E) allowing air to flow to meet the downstream demand. The flow of downstream air is metered by the amount of opening (E).

Should downstream pressure exceed the desired regulated pressure, the excess pressure will cause the diaphragm (D) to move upward against control spring (C), open vent hole (F), and vent the excess pressure to atmosphere through the hole in the bonnet (H). (This occurs in the relieving type regulator only.)



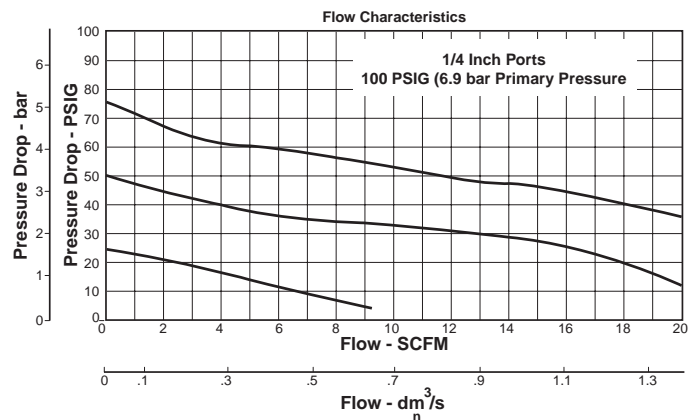
Technical Information

CAUTION:

REGULATOR PRESSURE ADJUSTMENT –

The working range of knob adjustment is designed to permit outlet pressures within their full range. Pressure adjustment beyond this range is also possible because the knob is not a limiting device. This is a common characteristic of most industrial regulators, and limiting devices may be obtained only by special design.

For best performance, regulated pressure should always be set by increasing the pressure up to the desired setting.



R354, R364 Regulator Kits & Accessories

- R354 Bonnet KitCKR354YSS
- R364 Bonnet Kit (Knob Included)CKR364YSS
- Gauge (Stainless) –
 160 PSIG (0 to 1100 kPa), 1-1/2" FaceK4515N14160SS
- Panel Mount Bracket (Stainless) 161X57-SS
- Panel Mount Nut –
 Stainless R05X51-SS
 PlasticR05X51-P
- Pipe Nipple –
 1/4" 316 Stainless Steel 616Y28-SS
- Service Kit –
 RelievingRKR364YSS
 Non-Relieving RKR364KYSS
- Springs –
 0-25 PSIG RangeSPR-375-2-SS
 0-60 PSIG RangeSPR-376-1-SS
 0-125 PSIG RangeSPR-377-1-SS

- Port Threads1/4 Inch
- Pressure & Temperature Ratings –
 R354 300 PSIG Max (20.7 bar)
 0°F to 180°F (-18°C to 82°C)
 R364 300 PSIG Max (20.7 bar)
 0°F to 150°F (-18°C to 66°C)

Note: Air must be dry enough to avoid ice formation at temperatures below 32°F (0°C).

Weight0.5 lb. (0.23 kg)

Materials of Construction

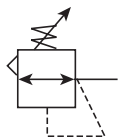
- Adjustment Mechanism / Springs316 Stainless Steel
- Adjusting Knob (R354)316 Stainless Steel
- Adjusting Knob (R364) Polypropylene
- Body316 Stainless Steel
- Bonnet (R354)316 Stainless Steel
- Bonnet (R364) Acetal
- Bottom Plug316 Stainless Steel
- Poppet316 Stainless Steel
- Seals Fluorocarbon

Specifications

- Gauge Port1/4 Inch
- OperationFluorocarbon Diaphragm



R10, R11 Regulator – Standard



Features

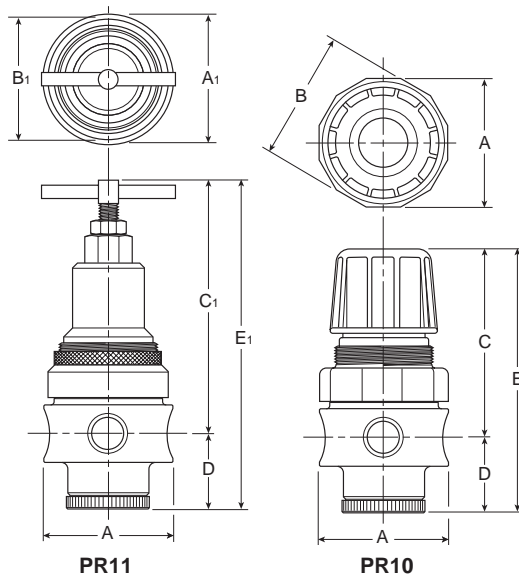
- Stainless Steel Construction Handles Most Corrosive Environments
- Large Daphragm to Valve Area Ratio for Precise Regulation and High Flow Capacity
- Meets NACE Specifications MR-01-75/ISO 15156
- Low Temperature Version Available
- High Flow: 1/2" – 80 SCFM[§]



R11



R10



PR11

PR10

Series	Adjustment Type	Port Size	NPT	BSPB
R10	Knob	1/2"	R10-04CSS	R10G04CSS
R11	Tee Handle	1/2"	R11-04CSS	R11G04CSS

PR10, PR11 Regulator Dimensions		
A	A ₁	B
2.36 (60)	3.36 (85)	2.35 (60)
B ₁	C	C ₁
2.25 (57)	3.59 (91)	4.70 (119)
D	E	E ₁
1.38 (35)	4.97 (126)	6.13 (156)

Standard part numbers shown bold. For other models refer to ordering information below.

[§] SCFM = Standard cubic feet per minute at 100 PSIG inlet, 75 PSIG no flow secondary setting and 15 PSIG pressure drop.

⚠ WARNING
Product rupture can cause serious injury. Do not connect regulator to bottled gas. Do not exceed maximum primary pressure rating.

inches (mm)
 NOTE: 1.75 Dia. (44mm)
 hole required for panel mounting.

Ordering Information



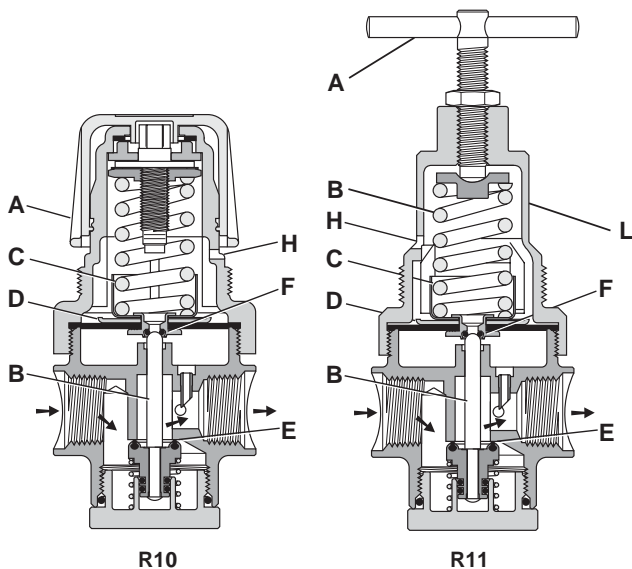
Series R10 Standard Knob R11 Stainless Steel Tee Handle	Port Type — NPT G BSPB	Port Size 04 1/2 Inch	Pressure Range B 0-60 PSIG (0-4.1 bar) C 0-125 PSIG (0-8.5 bar) D 0-250 PSIG (0-17 bar)	Options Blank Relieving K Non-Relieving L* Low Temp. P Panel Mount Nut	Material SS Stainless Steel
--	-------------------------------------	---------------------------------	--	---	---------------------------------------

* See Note on following page.

BOLD ITEMS ARE MOST POPULAR.



Operation



With the adjusting knob / Tee Handle (A) turned fully counter-clockwise (no spring load), and pressure supplied to the regulator inlet port, the valve poppet assembly (B) is closed. Turning the adjusting knob clockwise applies a load to control spring (C). This load causes the diaphragm (D) and the valve poppet assembly (B) to move downward allowing flow across the seat area (E) created between the poppet assembly and the seat. Pressure in the downstream line is sensed below the diaphragm (D) and offsets the load of spring (C). As downstream pressure rises, poppet assembly (B) and diaphragm (D) move upward until the area (E) is closed and the load of the spring (C) and pressure under diaphragm (D) are in balance. A reduced outlet pressure has now been obtained, depending on spring load. Creating a demand downstream, such as opening a valve, results in a reduced pressure under the diaphragm (D). The load of control spring (C) now causes the poppet assembly to move downward opening seat area (E) allowing air to flow to meet the downstream demand. The flow of downstream air is metered by the amount of opening (E). Should downstream pressure exceed the desired regulated pressure, the excess pressure will cause the diaphragm (D) to move upward against control spring (C), open vent hole (F), and vent the excess pressure to atmosphere through the hole in the bonnet (H). (This occurs in the relieving type regulator only.)

Technical Information

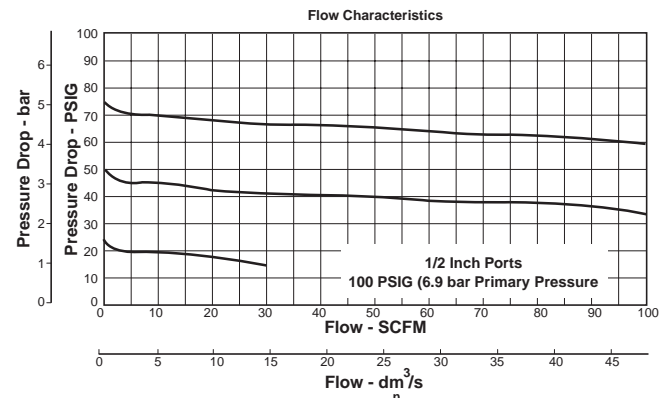
CAUTION:

REGULATOR PRESSURE ADJUSTMENT –

The working range of knob adjustment is designed to permit outlet pressures within their full range. Pressure adjustment beyond this range is also possible because the knob is not a limiting device. This is a common characteristic of most industrial regulators, and limiting devices may be obtained only by special design.

For best performance, regulated pressure should always be set by increasing the pressure up to the desired setting.

* Note: “Low Temperature” option is intended for applications where the ambient temperature may be down to -40° C/F. Air supply must be free of moisture to prevent ice formation and malfunction of units. These units contain EPDM seals. Make sure any oils in the airstream are compatible.



R10, R11 Regulator Kits & Accessories

- R10 Bonnet Kit (Knob Included)CKR10YSS
- R11 Bonnet Kit.....CKR11YSS
- Gauge (Stainless) –
 - 160 PSIG (0 to 1100 kPa), 2" FaceK4520N14160SS
- Panel Mount Bracket (Stainless)..... R10Y57-SS
- Panel Mount Nut –
 - Stainless R10X51-SS
 - Plastic.....R10X51-P
- Pipe Nipple –
 - 1/2" 316 Stainless Steel 616A28-SS
- Service Kit –
 - Relieving.....RKR10YSS
 - Non-Relieving..... RKR10KYSS
- Springs –
 - 0-60 PSIG RangeSPR-388-1-SS
 - 0-125 PSIG RangeSPR-389-1-SS
 - 0-250 PSIG RangeSPR-390-1-SS

- OperationFluorocarbon Diaphragm
- Port Threads1/2 Inch
- Pressure & Temperature Ratings –
 - R10 300 PSIG Max (20.7 bar)
 - 0°F to 150°F (-18°C to 66°C)
 - R11 300 PSIG Max (20.7 bar)
 - 0°F to 180°F (-18°C to 82°C)
- Option “L” Minimum Operating Temperature-40° C/F
- Note: Air must be dry enough to avoid ice formation at temperatures below 32°F (0°C).
- Weight 1.79 lb. (0.81 kg)

Materials of Construction

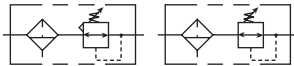
- Adjustment Mechanism / Springs316 Stainless Steel
- Body316 Stainless Steel
- Bonnet / Tee Handle (R11).....316 Stainless Steel
- Bonnet / Knob (R10) Acetal
- Bottom Plug316 Stainless Steel
- Poppet316 Stainless Steel
- Seals Fluorocarbon

Specifications

- Gauge Port 1/4 Inch



B548, B558 Filter / Regulator – Miniature



Features

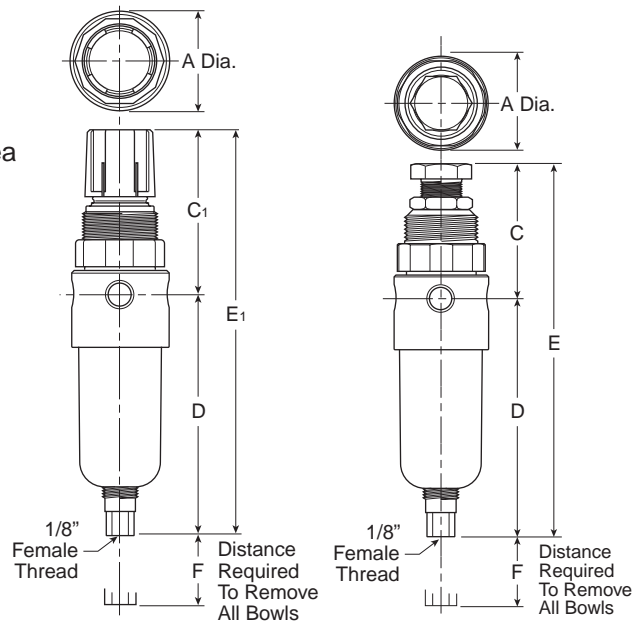
- Stainless Steel Construction Handles Most Corrosive Environments
- Large Diaphragm to Valve Area Ratio for Precise Regulation and High Flow Capacity
- 1/8" Female Threaded Drain
- Meets NACE Specifications MR-01-75/ISO 15156.
- High Flow: 1/4" – 12 SCFM[§]



B548



B558



B548

B558

Series	Adjustment Type	Port Size	NPT	BSPP
B548	Knob	1/4"	B548-02DHCSS	B548G02DHCSS
B558	All Metal	1/4"	B558-02DHCSS	B558G02DHCSS

Standard part numbers shown bold. For other models refer to ordering information below.

[§] SCFM = Standard cubic feet per minute at 100 PSIG inlet, 75 PSIG no flow secondary setting and 15 PSIG pressure drop.

B548, B558 Piggyback Dimensions		
A 1.56 (40)	C 2.17 (55)	C₁ 2.63 (67)
D 3.63 (92)	E 5.80 (147)	E₁ 6.26 (159)
F 1.58 (40)		

inches (mm)
 NOTE: 1.25 Dia. (32mm) hole required for panel mounting.

⚠ WARNING

**Product rupture can cause serious injury.
 Do not connect regulator to bottled gas.
 Do not exceed maximum primary pressure rating.**

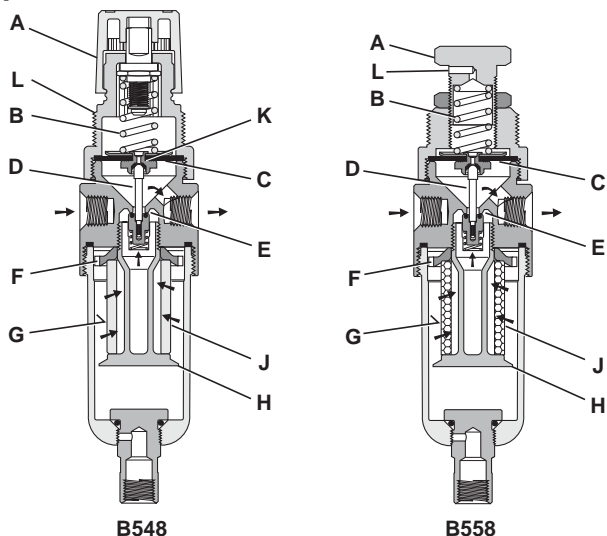
Ordering Information



Series	Port Type	Bowl	Element	Reduced Pressure Range	Options	Material
B548 Standard Knob B558 Stainless Steel	– NPT G BSPP	D Metal Bowl without Sight Gauge	H 20 Micron G 5 Micron	A 0-25 PSIG (0-1.7 bar) B 0-60 PSIG (0-4.1 bar) C 0-125 PSIG (0-8.5 bar)	Blank Relieving K Non-Relieving R Automatic Pulse Drain P Panel Mount Nut	SS Stainless Steel
	Port Size					
	02 1/4 Inch					

BOLD ITEMS ARE MOST POPULAR.

Operation



Turning the adjusting knob (A) clockwise applies a load to control spring (B) which forces diaphragm (C) and valve poppet assembly (D) to move downward allowing filtered air to flow through the seat area (E) created between the poppet and the seat. “**First stage filtration**”. Air pressure supplied to the inlet port is directed through deflector plate (F) causing a swirling centrifugal action forcing liquids and coarse particles to the inner bowl wall (G) and down below the lower baffle (H) to the quiet zone. After liquids and large particles are removed in the first stage of filtration “**second stage filtration**” occurs as air flows through element (J) where smaller particles are filtered out and retained. The air flow now passes through seat area (E) to the outlet port of the unit. Pressure in the downstream line is sensed below the diaphragm (C) and offsets the load of spring (B). When downstream pressure reaches the set-point, poppet valve assembly (D) and diaphragm (C) move upward closing seat area (E). Should downstream pressure exceed the desired regulated pressure, the excess pressure will cause the diaphragm (C) to move upward opening vent hole (K) venting the excess pressure to atmosphere through the hole in the bonnet (L). (This occurs in the standard relieving type filter/regulators only.)

Technical Information

CAUTION:

REGULATOR PRESSURE ADJUSTMENT –

The working range of knob adjustment is designed to permit outlet pressures within their full range. Pressure adjustment beyond this range is also possible because the knob is not a limiting device. This is a common characteristic of most industrial regulators, and limiting devices may be obtained only by special design.

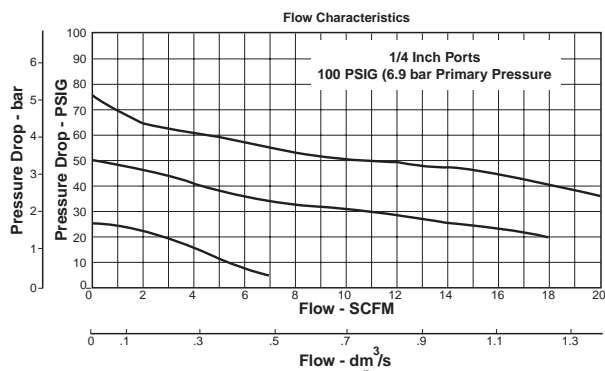
For best performance, regulated pressure should always be set by increasing the pressure up to the desired setting.

B548, B558 Regulator Kits & Accessories

- B558 Bonnet Kit (Knob Included)CKR354YSS
- B548 Bonnet Kit (Knob Included)CKR364YSS
- Drain Kit –**
 - Automatic Pulse Drain RK504SY-SS
 - Manual Twist Drain –
 - Small (Old) SA600Y7-1SS
 - Large (New) SAP05481
- Filter Element Kits –**
 - Particulate (5 Micron) EK504VY
 - Particulate (20 Micron) EK504Y
- Gauge (Stainless) –**
 - 160 PSIG (0 to 1100 kPa), 1-1/2" FaceK4515N14160SS
- Panel Mount Bracket (Stainless)..... 161X57-SS**
- Panel Mount Nut –**
 - Stainless R05X51-SS
 - Plastic..... R05X51-P
- Pipe Nipple –**
 - 1/4" 316 Stainless Steel 616Y28-SS
- Service Kit –**
 - Relieving RK549YSS
 - Non-Relieving RK548YSS
- Springs –**
 - 0-25 PSIG Range SPR-375-2-SS
 - 0-60 PSIG Range SPR-376-1-SS
 - 0-125 PSIG Range SPR-377-1-SS

Specifications

Bowl Capacity 1.0 Ounces



- Filter Rating20 Micron
- Gauge Port1/4 Inch
- Operation Fluorocarbon Diaphragm
- Port Threads1/4 Inch
- Pressure & Temperature Ratings –**
 - B548 300 PSIG Max (20.7 bar)
 - 0°F to 150°F (-18°C to 66°C)
 - B558 300 PSIG Max (20.7 bar)
 - 0°F to 180°F (-18°C to 82°C)
 - Auto Pulse Drain..... 10 to 175 PSIG (0 to 12 bar)
 - 32°F to 150°F (0°C to 66°C)
- Note: Air must be dry enough to avoid ice formation at temperatures below 32°F (0°C).**

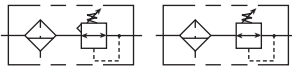
- Sump Capacity 0.4 Ounce
- Weight 0.6 lb. (0.27 kg)

Materials of Construction

- Adjustment Mechanism / Springs316 Stainless Steel
- Body316 Stainless Steel
- Bonnet (B548) Acetal
- Bonnet (B558)316 Stainless Steel
- Bottom Plug316 Stainless Steel
- Knob (B548) Polypropylene
- Knob (B558)316 Stainless Steel
- Poppet316 Stainless Steel
- Seals Fluorocarbon



B11, B12 Filter / Regulator – Standard



Features

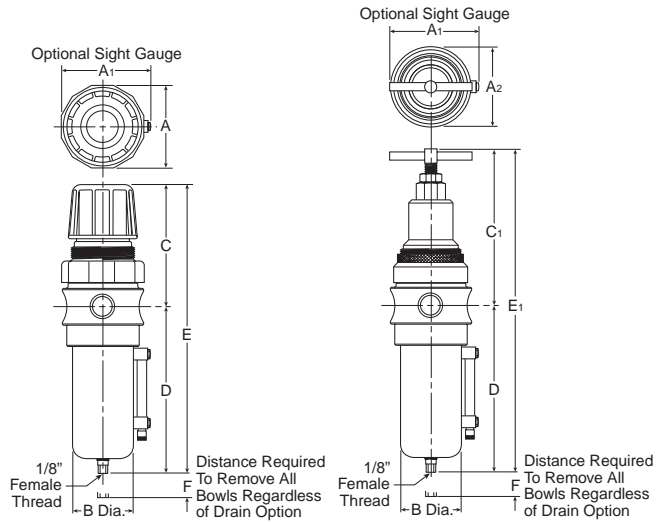
- Stainless Steel Construction Handles Most Corrosive Environments
- Large Diaphragm to Valve Area Ratio for Precise Regulation and High Flow Capacity
- 1/8" Female Threaded Drain
- Meets NACE Specifications MR-01-75/ISO-15156
- Low Temperature Version Available
- High Flow: 1/2" – 72 SCFM[§]



B11



B12



B11

B12

Series	Adjustment Type	Port Size	NPT		BSPP	
			Manual Twist Drain	Automatic Float Drain	Manual Twist Drain	Automatic Float Drain
Metal Bowl with Sight Gauge						
B11	Knob	1/2"	B11-04WJCSS	B11-04WJCRSS	B11G04WJCSS	B11G04WJCRSS
B12	Tee-Handle	1/2"	B12-04WJCSS	B12-04WJCRSS	B12G04WJCSS	B12G04WJCRSS

PB11, PB12 Filter / Regulator Dimensions		
A	A1	A2
2.36 (60)	2.50 (64)	3.36 (85)
B	C	C1
1.75 (44)	3.59 (91)	4.70 (119)
D	E	E1
5.00 (127)	8.59 (218)	9.70 (246)
F		
2.12 (54)		

Standard part numbers shown bold. For other models refer to ordering information below.

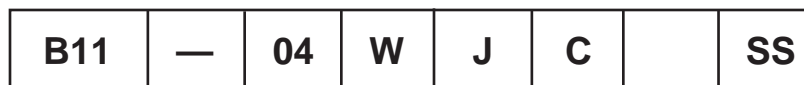
[§] SCFM = Standard cubic feet per minute at 100 PSIG inlet, 90 PSIG no flow secondary setting and 15 PSIG pressure drop.

⚠ WARNING

**Product rupture can cause serious injury.
 Do not connect regulator to bottled gas.
 Do not exceed maximum primary pressure rating.**

inches (mm)
 NOTE: 1.75 Dia. (44mm) hole required for panel mounting.

Ordering Information

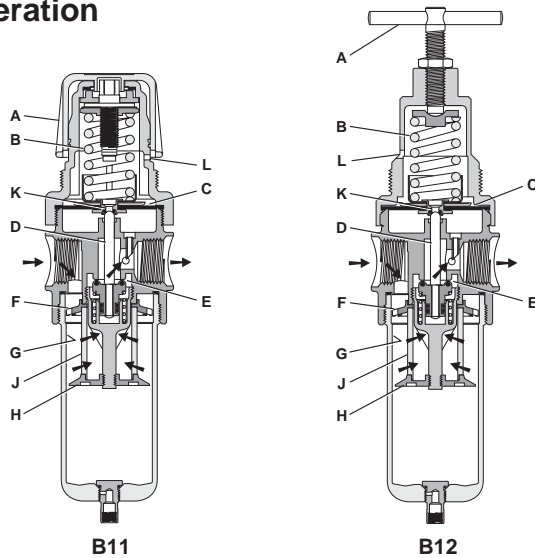


Series B11 Standard Knob B12 Stainless Steel	Port Type – NPT G BSPP	Bowl D Metal Bowl without Sight Gauge W Metal Bowl with Sight Gauge	Element J 40 Micron G 5 Micron	Reduced Pressure Range B 0-60 PSIG (0-4.1 bar) C 0-125 PSIG (0-8.5 bar) D 0-250 PSIG (0-17 bar)	Options Blank Relieving K Non-Relieving R Automatic Float Drain L* Low Temp. P Panel Mount Nut	Material SS Stainless Steel
	Port Size 04 1/2 Inch					

BOLD ITEMS ARE MOST POPULAR.

* Manual Drain Only.

Operation



Turning the adjusting knob / Tee Handle (A) clockwise applies a load to control spring (B) which forces diaphragm (C) and valve poppet assembly (D) to move downward allowing filtered air to flow through the seat area (E) created between the poppet assembly and the seat. "First stage filtration". Air pressure supplied to the inlet port is directed through deflector plate (F) causing a swirling centrifugal action forcing liquids and coarse particles to the inner bowl wall (G) and down below the lower baffle (H) to the quiet zone. After liquids and large particles are removed in the first stage of filtration "second stage filtration" occurs as air flows through element (J) where smaller particles are filtered out and retained. The air flow now passes through seat area (E) to the outlet port of the unit. Pressure in the downstream line is sensed below the diaphragm (C) and offsets the load of spring (B). When downstream pressure reaches the set-point, poppet valve assembly (D) and diaphragm (C) move upward closing seat area (E). Should downstream pressure exceed the desired regulated pressure, the excess pressure will cause the diaphragm (C) to move upward opening vent hole (K) venting the excess pressure to atmosphere through the hole in the bonnet (L). (This occurs in the standard relieving type filter/regulators only.)

Technical Information

CAUTION:

REGULATOR PRESSURE ADJUSTMENT –

The working range of knob adjustment is designed to permit outlet pressures within their full range. Pressure adjustment beyond this range is also possible because the knob is not a limiting device. This is a common characteristic of most industrial regulators, and limiting devices may be obtained only by special design.

For best performance, regulated pressure should always be set by increasing the pressure up to the desired setting.

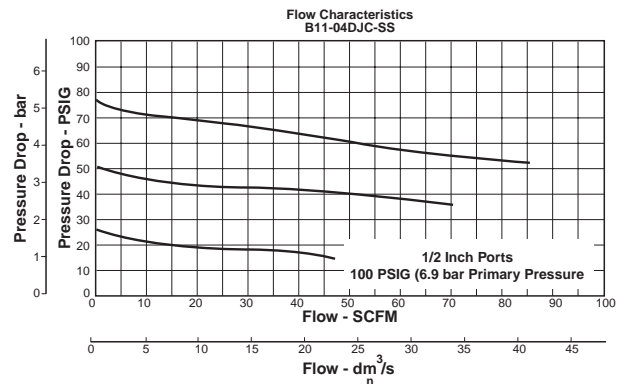
*Note: "Low Temperature" option is intended for applications where the ambient temperature may be down to -40° C/F. Air supply must be free of moisture to prevent ice formation and malfunction of units. These units contain EPDM seals. Make sure any oils in the airstream are compatible.

B11, B12 Regulator Kits & Accessories

- B11 Bonnet Kit (Knob Included)CKR10YSS
- B12 Bonnet KitCKR11YSS
- Drain Kit –
 - Automatic Float Drain SA10MDSS
 - Manual Twist Drain –
 - Small (Old) SA600Y7-1SS
 - Large (New) SAP05481
- Filter Element Kits –
 - Particulate (40 Micron) EKF10Y
 - Particulate (5 Micron) EKF10VY
- Gauge (Stainless) –
 - 160 PSIG (0 to 1100 kPa), 2" FaceK4520N14160SS
- Panel Mount Bracket (Stainless) R10Y57-SS
- Panel Mount Nut –
 - Stainless R10X51-SS
 - Plastic R10X51-P
- Pipe Nipple –
 - 1/2" 316 Stainless Steel 616A28-SS
- Service Kit –
 - RelievingRKR10YSS
 - Non-Relieving RKR10KYSS
- Springs –
 - 0-60 PSIG RangeSPR-388-1-SS
 - 0-125 PSIG RangeSPR-389-1-SS
 - 0-250 PSIG RangeSPR-390-1-SS

Specifications

- Bowl Capacity 4.0 Ounces
- Filter Rating40 Micron



- Gauge Port1/4 Inch
- Operation Fluorocarbon Diaphragm
- Port Threads1/2 Inch
- Pressure & Temperature Ratings –
 - B11 (Metal Bowl D or W) 300 PSIG Max (20.7 bar)
0°F to 150°F (-18°C to 66°C)
 - B12 (Metal Bowl (D) 0 to 250 PSIG (0 to 17.2 bar)
0°F to 180°F (-18°C to 82°C)
 - B12 (Metal Bowl (W)..... 0 to 250 PSIG (0 to 17.2 bar)
0°F to 150°F (-18°C to 66°C)
 - Automatic Float Drain 15 to 175 PSIG (1 to 12 bar)
32°F to 150°F (0°C to 66°C)
- Option "L" Minimum Operating Temperature-40° C/F

Note: Air must be dry enough to avoid ice formation at temperatures below 32°F (0°C).

- Sump Capacity 1.7 Ounce
- Weight2.42 lb. (1.09 kg)

Materials of Construction

- Adjustment Mechanism / Springs316 Stainless Steel
- Body316 Stainless Steel
- Bonnet / Knob (B11) Acetal
- Bonnet / Tee Handle (B12)316 Stainless Steel
- Bottom Plug316 Stainless Steel
- Poppet316 Stainless Steel
- Seals Fluorocarbon
- Sight Gauge Isoplast

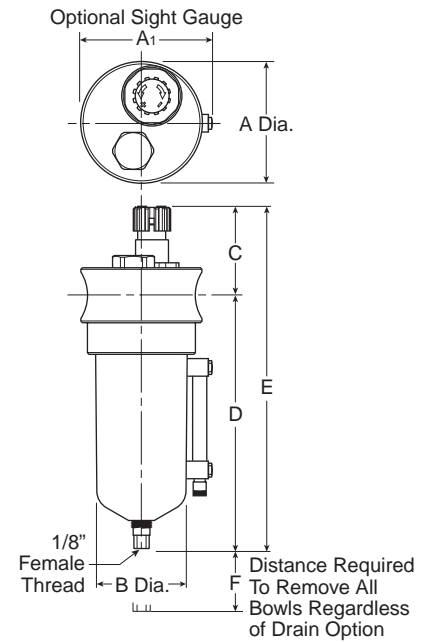


L10 Lubricator – Standard



Features

- Stainless Steel Construction Handles Most Corrosive Environments
- 1/8" Female Threaded Drain
- Fillable Under Pressure
- Meets NACE Specifications MR-01-75/ISO 15156
- High Flow: 1/2" - 100 SCFM[§]



E

Port Size	NPT	BSPB
	Manual Twist Drain	Manual Twist Drain
1/2"	Metal Bowl With Sight Gauge	
	L10-04WSS	L10G04WSS

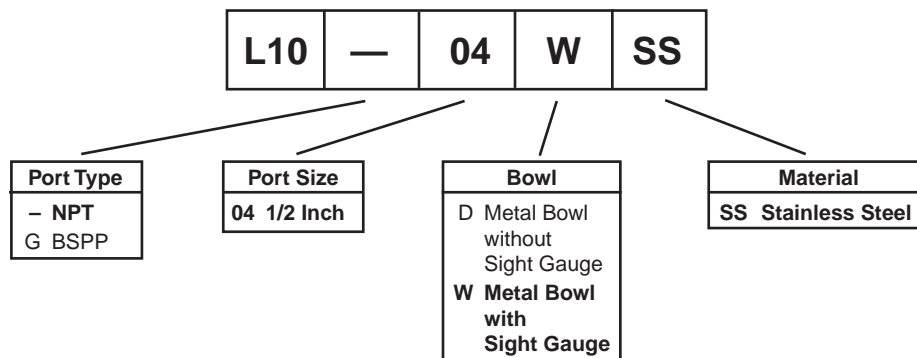
L10 Lubricator Dimensions		
A 2.36 (60)	A1 2.52 (64)	B 1.73 (44)
C 2.17 (55)	D 5.46 (139)	E 7.62 (194)
F 3.50 (89)		

Bold Items are Most Popular.
For other models refer to ordering information below.

[§] SCFM = Standard cubic feet per minute at 90 PSIG inlet, and 5 PSIG pressure drop.

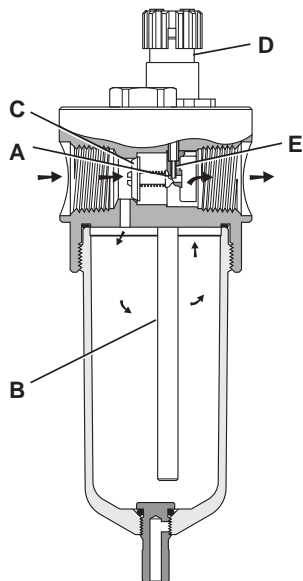
inches
(mm)

Ordering Information



BOLD ITEMS ARE MOST POPULAR.

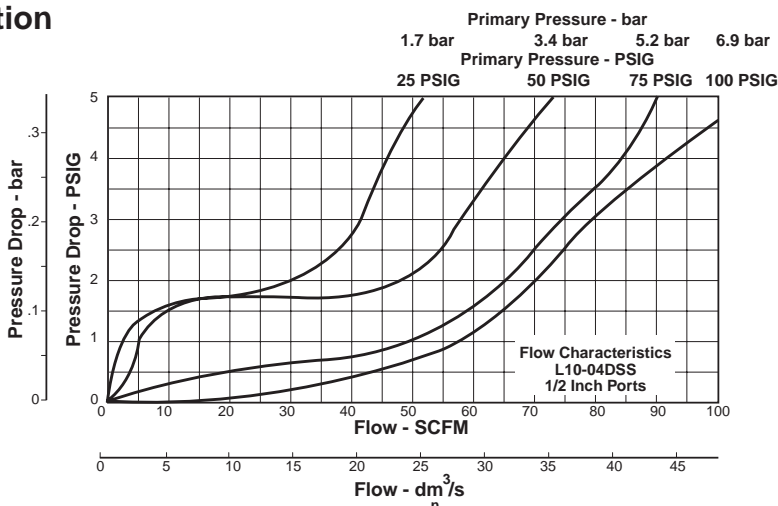
Operation



Air flowing through the unit goes through two paths. At low flow rates the majority of the air flows through the Venturi section (A). The rest of the air opens the check valve (C). The velocity of the air flowing through the Venturi section (A) creates a pressure drop. This lower pressure allows the oil to be forced from the reservoir through the pickup tube (B) and travels up to the metering screw (D). The rate of oil delivery is then controlled by adjusting the metering screw (D). Oil flows past the metering screw (D) and forms a drop in the nozzle tube (E). As the oil drops through the dome (F) and back into the Venturi section (A), it is broken up into fine particles. It is then mixed with the air flowing past the check valve (C) and is carried downstream. As the air flow increases the check valve (C) will open more fully. This additional flow will assure that the oil delivery rate will increase linearly with the increase of air flow.



Technical Information



L10 Filter Kits & Accessories

Drain Kit –

- Manual Twist Drain –
- Small (Old) SA600Y7-1SS
- Large (New) SAP05481

Pipe Nipple –

- 1/2" 316 Stainless Steel 616A28-SS

Sight Dome Kit –

- (Old) RKL10SS
- (New) PS740N

Specifications

- Bowl Capacity** 4.0 Ounces
- Port Threads** 1/2 Inch
- Pressure & Temperature Ratings –**
- Metal Bowl (D) 300 PSIG Max (20.7 bar)
- 0°F to 150°F (-18°C to 66°C)

- Metal Bowl (W) 0 to 250 PSIG (0 to 17.2 bar)
- 0°F to 150°F (-18°C to 66°C)

Note: Air must be dry enough to avoid ice formation at temperatures below 32°F (0°C).

- Weight** 1.9 lb. (0.85 kg)

Materials of Construction

- Body** 316 Stainless Steel
- Bowl** 316 Stainless Steel
- Dip Tube** 316 Stainless Steel
- Drain** 316 Stainless Steel
- Fill Plug** 316 Stainless Steel
- Seals** Fluorocarbon
- Sight Dome** Nylon
- Sight Gauge** Isoplast

Safety Guide For Selecting And Using Pneumatic Division Products And Related Accessories

WARNING:

FAILURE OR IMPROPER SELECTION OR IMPROPER USE OF PNEUMATIC DIVISION PRODUCTS, ASSEMBLIES OR RELATED ITEMS (“PRODUCTS”) CAN CAUSE DEATH, PERSONAL INJURY, AND PROPERTY DAMAGE. POSSIBLE CONSEQUENCES OF FAILURE OR IMPROPER SELECTION OR IMPROPER USE OF THESE PRODUCTS INCLUDE BUT ARE NOT LIMITED TO:

- Unintended or mistimed cycling or motion of machine members or failure to cycle
- Work pieces or component parts being thrown off at high speeds.
- Failure of a device to function properly for example, failure to clamp or unclamp an associated item or device.
- Explosion
- Suddenly moving or falling objects.
- Release of toxic or otherwise injurious liquids or gasses.

Before selecting or using any of these Products, it is important that you read and follow the instructions below.

1. GENERAL INSTRUCTIONS

- 1.1. Scope:** This safety guide is designed to cover general guidelines on the installation, use, and maintenance of Pneumatic Division Valves, FRLs (Filters pressure Regulators and Lubricators), Vacuum products and related accessory components.
- 1.2. Fail-Safe:** Valves, FRLs, Vacuum products and their related components can and do fail without warning for many reasons. Design all systems and equipment in a fail-safe mode, so that failure of associated valves, FRLs or Vacuum products will not endanger persons or property.
- 1.3 Relevant International Standards:** For a good guide to the application of a broad spectrum of pneumatic fluid power devices see: ISO 4414:1998, Pneumatic Fluid Power – General Rules Relating to Systems. See www.iso.org for ordering information.
- 1.4. Distribution:** Provide a copy of this safety guide to each person that is responsible for selection, installation, or use of Valves, FRLs or Vacuum products. Do not select, or use Watts valves, FRLs or vacuum products without thoroughly reading and understanding this safety guide as well as the specific Watts publications for the products considered or selected.
- 1.5. User Responsibility:** Due to the wide variety of operating conditions and applications for valves, FRLs, and vacuum products Watts and its distributors do not represent or warrant that any particular valve, FRL or vacuum product is suitable for any specific end use system. This safety guide does not analyze all technical parameters that must be considered in selecting a product. The user, through its own analysis and testing, is solely responsible for:
 - Making the final selection of the appropriate valve, FRL, Vacuum component, or accessory.
 - Assuring that all user's performance, endurance, maintenance, safety, and warning requirements are met and that the application presents no health or safety hazards.
 - Complying with all existing warning labels and / or providing all appropriate health and safety warnings on the equipment on which the valves, FRLs or Vacuum products are used; and,
 - Assuring compliance with all applicable government and industry standards.
- 1.6. Safety Devices:** Safety devices should not be removed, or defeated.
- 1.7. Warning Labels:** Warning labels should not be removed, painted over or otherwise obscured.
- 1.8. Additional Questions:** Call the appropriate Watts technical service department if you have any questions or require any additional information. See the Watts publication for the product being considered or used, or call 269-629-5000, or go to www.wattsfluidair.com, for telephone numbers of the appropriate technical service department.

2. PRODUCT SELECTION INSTRUCTIONS

- 2.1. Flow Rate:** The flow rate requirements of a system are frequently the primary consideration when designing any pneumatic system. System components need to be able to provide adequate flow and pressure for the desired application.
- 2.2. Pressure Rating:** Never exceed the rated pressure of a product. Consult product labeling, Pneumatic Division catalogs or the instruction sheets supplied for maximum pressure ratings.
- 2.3. Temperature Rating:** Never exceed the temperature rating of a product. Excessive heat can shorten the life expectancy of a product and result in complete product failure.
- 2.4. Environment:** Many environmental conditions can affect the integrity and suitability of a product for a given application. Pneumatic Division products are designed for use in general purpose industrial applications. If these products are to be used in unusual circumstances such as direct sunlight and/or corrosive or caustic environments, such use can shorten the useful life and lead to premature failure of a product.
- 2.5. Lubrication and Compressor Carryover:** Some modern synthetic oils can and will attack nitrile seals. If there is any possibility of synthetic oils or greases migrating into the pneumatic components check for compatibility with the seal materials used. Consult the factory or product literature for materials of construction.
- 2.6. Polycarbonate Bowls and Sight Glasses:** To avoid potential polycarbonate bowl failures:
 - Do not locate polycarbonate bowls or sight glasses in areas where they could be subject to direct sunlight, impact blow, or temperatures outside of the rated range.
 - Do not expose or clean polycarbonate bowls with detergents, chlorinated hydro-carbons, ketones, esters or certain alcohols.
 - Do not use polycarbonate bowls or sight glasses in air systems where compressors are lubricated with fire resistant fluids such as phosphate ester and di-ester lubricants.

Safety Guide

2.7. Chemical Compatibility: For more information on plastic component chemical compatibility see Pneumatic Division technical bulletins Tec-3, Tec-4, and Tec-5

2.8. Product Rupture: Product rupture can cause death, serious personal injury, and property damage.

- Do not connect pressure regulators or other Pneumatic Division products to bottled gas cylinders.
- Do not exceed the maximum primary pressure rating of any pressure regulator or any system component.
- Consult product labeling or product literature for pressure rating limitations.

3. PRODUCT ASSEMBLY AND INSTALLATION INSTRUCTIONS

3.1. Component Inspection: Prior to assembly or installation a careful examination of the valves, FRLs or vacuum products must be performed. All components must be checked for correct style, size, and catalog number. DO NOT use any component that displays any signs of nonconformance.

3.2. Installation Instructions: Watts published Installation Instructions must be followed for installation of Watts valves, FRLs and vacuum components. These instructions are provided with every Watts valve or FRL sold, or by calling 269-629-5000, or at www.wattsfluidair.com.

3.3. Air Supply: The air supply or control medium supplied to Valves, FRLs and Vacuum components must be moisture-free if ambient temperature can drop below freezing

4. VALVE AND FRL MAINTENANCE AND REPLACEMENT INSTRUCTIONS

4.1. Maintenance: Even with proper selection and installation, valve, FRL and vacuum products service life may be significantly reduced without a continuing maintenance program. The severity of the application, risk potential from a component failure, and experience with any known failures in the application or in similar applications should determine the frequency of inspections and the servicing or replacement of Pneumatic Division products so that products are replaced before any failure occurs. A maintenance program must be established and followed by the user and, at minimum, must include instructions 4.2 through 4.10.

4.2. Installation and Service Instructions: Before attempting to service or replace any worn or damaged parts consult the appropriate Service Bulletin for the valve or FRL in question for the appropriate practices to service the unit in question. These Service and Installation Instructions are provided with every Watts valve and FRL sold, or are available by calling 269-629-5000, or by accessing the Watts web site at www.wattsfluidair.com.

4.3. Lockout / Tagout Procedures: Be sure to follow all required lockout and tagout procedures when servicing equipment. For more information see: OSHA Standard – 29 CFR, Part 1910.147, Appendix A, The Control of Hazardous Energy – (Lockout / Tagout)

4.4. Visual Inspection: Any of the following conditions requires immediate system shut down and replacement of worn or damaged components:

- Air leakage: Look and listen to see if there are any signs of visual damage to any of the components in the system. Leakage is an indication of worn or damaged components.
- Damaged or degraded components: Look to see if there are any visible signs of wear or component degradation.
- Kinked, crushed, or damaged hoses. Kinked hoses can result in restricted air flow and lead to unpredictable system behavior.
- Any observed improper system or component function: Immediately shut down the system and correct malfunction.
- Excessive dirt build-up: Dirt and clutter can mask potentially hazardous situations.

Caution: Leak detection solutions should be rinsed off after use.

4.5. Routine Maintenance Issues:

- Remove excessive dirt, grime and clutter from work areas.
- Make sure all required guards and shields are in place.

4.6. Functional Test: Before initiating automatic operation, operate the system manually to make sure all required functions operate properly and safely.

4.7. Service or Replacement Intervals: It is the user's responsibility to establish appropriate service intervals. Valves, FRLs and vacuum products contain components that age, harden, wear, and otherwise deteriorate over time. Environmental conditions can significantly accelerate this process. Valves, FRLs and vacuum components need to be serviced or replaced on routine intervals. Service intervals need to be established based on:

- Previous performance experiences.
- Government and / or industrial standards.
- When failures could result in unacceptable down time, equipment damage or personal injury risk.

4.8. Servicing or Replacing of any Worn or Damaged Parts: To avoid unpredictable system behavior that can cause death, personal injury and property damage:

- Follow all government, state and local safety and servicing practices prior to service including but not limited to all OSHA Lockout Tagout procedures (OSHA Standard – 29 CFR, Part 1910.147, Appendix A, The Control of Hazardous Energy – Lockout / Tagout).
- Disconnect electrical supply (when necessary) before installation, servicing, or conversion.
- Disconnect air supply and depressurize all air lines connected to system and Pneumatic Division products before installation, service, or conversion.
- Installation, servicing, and / or conversion of these products must be performed by knowledgeable personnel who understand how pneumatic products are to be applied.
- After installation, servicing, or conversions air and electrical supplies (when necessary) should be connected and the product tested for proper function and leakage. If audible leakage is present, or if the product does not operate properly, do not put product or system into use.
- Warnings and specifications on the product should not be covered or painted over. If masking is not possible, contact your local representative for replacement labels.

4.9. Putting Serviced System Back into Operation: Follow the guidelines above and all relevant Installation and Maintenance Instructions supplied with the valve FRL or vacuum component to insure proper function of the system.

The items described in this document and other documents and descriptions provided by Parker Hannifin Corporation, its subsidiaries and its authorized distributors ("Seller") are hereby offered for sale at prices to be established by Seller. This offer and its acceptance by any customer ("Buyer") shall be governed by all of the following Terms and Conditions. Buyer's order for any item described in its document, when communicated to Seller verbally, or in writing, shall constitute acceptance of this offer. All goods or work described will be referred to as "Products".

1. Terms and Conditions. Seller's willingness to offer Products, or accept an order for Products, to or from Buyer is expressly conditioned on Buyer's assent to these Terms and Conditions and to the terms and conditions found on-line at www.parker.com/saleterms/. Seller objects to any contrary or additional term or condition of Buyer's order or any other document issued by Buyer.

2. Price Adjustments; Payments. Prices stated on the reverse side or preceding pages of this document are valid for 30 days. After 30 days, Seller may change prices to reflect any increase in its costs resulting from state, federal or local legislation, price increases from its suppliers, or any change in the rate, charge, or classification of any carrier. The prices stated on the reverse or preceding pages of this document do not include any sales, use, or other taxes unless so stated specifically. Unless otherwise specified by Seller, all prices are F.O.B. Seller's facility, and payment is due 30 days from the date of invoice. After 30 days, Buyer shall pay interest on any unpaid invoices at the rate of 1.5% per month or the maximum allowable rate under applicable law.

3. Delivery Dates; Title and Risk; Shipment. All delivery dates are approximate and Seller shall not be responsible for any damages resulting from any delay. Regardless of the manner of shipment, title to any products and risk of loss or damage shall pass to Buyer upon tender to the carrier at Seller's facility (i.e., when it's on the truck, it's yours). Unless otherwise stated, Seller may exercise its judgment in choosing the carrier and means of delivery. No deferral of shipment at Buyers' request beyond the respective dates indicated will be made except on terms that will indemnify, defend and hold Seller harmless against all loss and additional expense. Buyer shall be responsible for any additional shipping charges incurred by Seller due to Buyer's changes in shipping, product specifications or in accordance with Section 13, herein.

4. Warranty. Seller warrants that the Products sold hereunder shall be free from defects in material or workmanship for a period of twelve months from the date of delivery to Buyer or 2,000 hours of normal use, whichever occurs first. This warranty is made only to Buyer and does not extend to anyone to whom Products are sold after purchased from Seller. The prices charged for Seller's products are based upon the exclusive limited warranty stated above, and upon the following disclaimer: **DISCLAIMER OF WARRANTY: THIS WARRANTY COMPRISES THE SOLE AND ENTIRE WARRANTY PERTAINING TO PRODUCTS PROVIDED HEREUNDER. SELLER DISCLAIMS ALL OTHER WARRANTIES, EXPRESS AND IMPLIED, INCLUDING MERCHANTABILITY AND FITNESS FOR A PARTICULAR PURPOSE.**

5. Claims; Commencement of Actions. Buyer shall promptly inspect all Products upon delivery. No claims for shortages will be allowed unless reported to the Seller within 10 days of delivery. No other claims against Seller will be allowed unless asserted in writing within 60 days after delivery or, in the case of an alleged breach of warranty, within 30 days after the date within the warranty period on which the defect is or should have been discovered by Buyer. Any action based upon breach of this agreement or upon any other claim arising out of this sale (other than an action by Seller for any amount due to Seller from Buyer) must be commenced within thirteen months from the date of tender of delivery by Seller or, for a cause of action based upon an alleged breach of warranty, within thirteen months from the date within the warranty period on which the defect is or should have been discovered by Buyer.

6. LIMITATION OF LIABILITY. UPON NOTIFICATION, SELLER WILL, AT ITS OPTION, REPAIR OR REPLACE A DEFECTIVE PRODUCT, OR REFUND THE PURCHASE PRICE. IN NO EVENT SHALL SELLER BE LIABLE TO BUYER FOR ANY SPECIAL, INDIRECT, INCIDENTAL OR CONSEQUENTIAL DAMAGES ARISING OUT OF, OR AS THE RESULT OF, THE SALE, DELIVERY, NON-DELIVERY, SERVICING, USE OR LOSS OF USE OF THE PRODUCTS OR ANY PART THEREOF, OR FOR ANY CHARGES OR EXPENSES OF ANY NATURE INCURRED WITHOUT SELLER'S WRITTEN CONSENT, EVEN IF SELLER HAS BEEN NEGLIGENT, WHETHER IN CONTRACT, TORT OR OTHER LEGAL THEORY. IN NO EVENT SHALL SELLER'S LIABILITY UNDER ANY CLAIM MADE BY BUYER EXCEED THE PURCHASE PRICE OF THE PRODUCTS.

7. Contingencies. Seller shall not be liable for any default or delay in performance if caused by circumstances beyond the reasonable control of Seller.

8. User Responsibility. The user, through its own analysis and testing, is solely responsible for making the final selection of the system and Product and assuring that all performance, endurance, maintenance, safety and warning requirements of the application are met. The user must analyze all aspects of the application and follow applicable industry standards and Product information. If Seller provides Product or system options, the user is responsible for determining that such data and specifications are suitable and sufficient for all applications and reasonably foreseeable uses of the Products or systems.

9. Loss to Buyer's Property. Any designs, tools, patterns, materials, drawings, confidential information or equipment furnished by Buyer or any other items which become Buyer's property, may be considered obsolete and may be destroyed by Seller after two consecutive years have elapsed without Buyer placing an order for the items which are manufactured using such property. Seller shall not be responsible for any loss or damage to such property while it is in Seller's possession or control.

10. Special Tooling. A tooling charge may be imposed for any special tooling, including without limitation, dies, fixtures, molds and patterns, acquired to manufacture Products. Such special tooling shall be and remain Seller's property notwithstanding payment of any charges by Buyer. In no event will Buyer acquire any interest in apparatus belonging to Seller which is utilized in the manufacture of the Products, even if such apparatus has been specially converted or adapted for such manufacture and notwithstanding any charges paid by Buyer. Unless otherwise agreed, Seller shall have the right to alter, discard or otherwise dispose of any special tooling or other property in its sole discretion at any time.

11. Buyer's Obligation; Rights of Seller. To secure payment of all sums due or otherwise, Seller shall retain a security interest in the goods delivered and this agreement shall be deemed a Security Agreement under the Uniform Commercial Code. Buyer authorizes Seller as its attorney to execute and file on Buyer's behalf all documents Seller deems necessary to perfect its security interest. Seller shall have a security interest in, and lien upon, any property of Buyer in Seller's possession as security for the payment of any amounts owed to Seller by Buyer.

12. Improper use and Indemnity. Buyer shall indemnify, defend, and hold Seller harmless from any claim, liability, damages, lawsuits, and costs (including attorney fees), whether for personal injury, property damage, patent, trademark or copyright infringement or any other claim, brought by or incurred by Buyer, Buyer's employees, or any other person, arising out of: (a) improper selection, improper application or other misuse of Products purchased by Buyer from Seller; (b) any act or omission, negligent or otherwise, of Buyer; (c) Seller's use of patterns, plans, drawings, or specifications furnished by Buyer to manufacture Product; or (d) Buyer's failure to comply with these terms and conditions. Seller shall not indemnify Buyer under any circumstance except as otherwise provided.

13. Cancellations and Changes. Orders shall not be subject to cancellation or change by Buyer for any reason, except with Seller's written consent and upon terms that will indemnify, defend and hold Seller harmless against all direct, incidental and consequential loss or damage. Seller may change product features, specifications, designs and availability with notice to Buyer.

14. Limitation on Assignment. Buyer may not assign its rights or obligations under this agreement without the prior written consent of Seller.

15. Entire Agreement. This agreement contains the entire agreement between the Buyer and Seller and constitutes the final, complete and exclusive expression of the terms of the agreement. All prior or contemporaneous written or oral agreements or negotiations with respect to the subject matter are herein merged.

16. Waiver and Severability. Failure to enforce any provision of this agreement will not waive that provision nor will any such failure prejudice Seller's right to enforce that provision in the future. Invalidation of any provision of this agreement by legislation or other rule of law shall not invalidate any other provision herein. The remaining provisions of this agreement will remain in full force and effect.

17. Termination. This agreement may be terminated by Seller for any reason and at any time by giving Buyer thirty (30) days written notice of termination. In addition, Seller may by written notice immediately terminate this agreement for the following: (a) Buyer commits a breach of any provision of this agreement (b) the appointment of a trustee, receiver or custodian for all or any part of Buyer's property (b) the filing of a petition for relief in bankruptcy of the other Party on its own behalf, or by a third party (c) an assignment for the benefit of creditors, or (d) the dissolution or liquidation of the Buyer.

18. Governing Law. This agreement and the sale and delivery of all Products hereunder shall be deemed to have taken place in and shall be governed and construed in accordance with the laws of the State of Ohio, as applicable to contracts executed and wholly performed therein and without regard to conflicts of laws principles. Buyer irrevocably agrees and consents to the exclusive jurisdiction and venue of the courts of Cuyahoga County, Ohio with respect to any dispute, controversy or claim arising out of or relating to this agreement. Disputes between the parties shall not be settled by arbitration unless, after a dispute has arisen, both parties expressly agree in writing to arbitrate the dispute.

19. Indemnity for Infringement of Intellectual Property Rights. Seller shall have no liability for infringement of any patents, trademarks, copyrights, trade dress, trade secrets or similar rights except as provided in this Section. Seller will defend and indemnify Buyer against allegations of infringement of U.S. patents, U.S. trademarks, copyrights, trade dress and trade secrets ("Intellectual Property Rights"). Seller will defend at its expense and will pay the cost of any settlement or damages awarded in an action brought against Buyer based on an allegation that a Product sold pursuant to this Agreement infringes the Intellectual Property Rights of a third party. Seller's obligation to defend and indemnify Buyer is contingent on Buyer notifying Seller within ten (10) days after Buyer becomes aware of such allegations of infringement, and Seller having sole control over the defense of any allegations or actions including all negotiations for settlement or compromise. If a Product is subject to a claim that it infringes the Intellectual Property Rights of a third party, Seller may, at its sole expense and option, procure for Buyer the right to continue using the Product, replace or modify the Product so as to make it noninfringing, or offer to accept return of the Product and return the purchase price less a reasonable allowance for depreciation. Notwithstanding the foregoing, Seller shall have no liability for claims of infringement based on information provided by Buyer, or directed to Products delivered hereunder for which the designs are specified in whole or part by Buyer, or infringements resulting from the modification, combination or use in a system of any Product sold hereunder. The foregoing provisions of this Section shall constitute Seller's sole and exclusive liability and Buyer's sole and exclusive remedy for infringement of Intellectual Property Rights.

20. Taxes. Unless otherwise indicated, all prices and charges are exclusive of excise, sales, use, property, occupational or like taxes which may be imposed by any taxing authority upon the manufacture, sale or delivery of Products.

21. Equal Opportunity Clause. For the performance of government contracts and where dollar value of the Products exceed \$10,000, the equal employment opportunity clauses in Executive Order 11246, VEVRAA, and 41 C.F.R. §§ 60-1.4(a), 60-741.5(a), and 60-250.4, are hereby incorporated.