

Safety Blow Guns	1-6	A
Ball Valves, Plug Valves	1-6	B
Lockout Valves	1-6	C
Flow Controls & Accessories	1-20	D
Fittings & Hose	1-12	E
Fittings & Tubing	1-70	F
Airline Accessories	1-4	G
Quick Couplings & Adapters	1-16	H
Offer of Sale		

Section G (Revised 5/30/06)

G



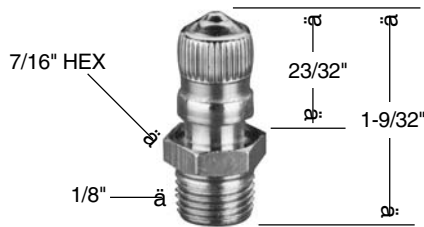
Tank Valves & Air Chucks 2
 Miniature O2L..... 3
 Rotating Pressure Joints 4

Tank Valves

For tanks, steel barrels, compressors and other pneumatic containers where a dependable automatic air valve is needed. Equipped with standard valve core and sealing cap. Maximum operating pressure is 185 PSIG. Temperature range is -40°F to 220°F.

Model No. 09166 0060

Has a 1/8" pipe thread at bottom for minimum protrusion. N/P finish, dome shaped cap. Packed 25 to a box.



Air Chucks

For regular airlines.

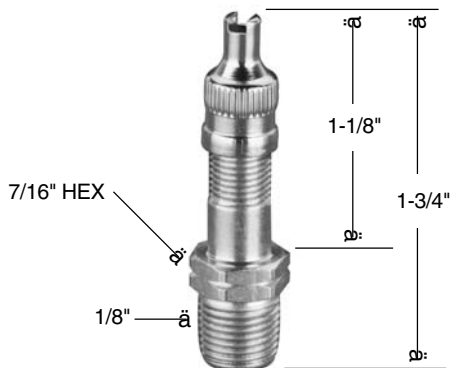
Model No. 05499 0000

Ball-foot air chuck, 1/4" female port. Packed 10 to a box.



Model No. 00645 0060

A 1/8" pipe thread at bottom permits maximum protrusion. N/P finish, screwdriver type cap. Packed 25 to a box.



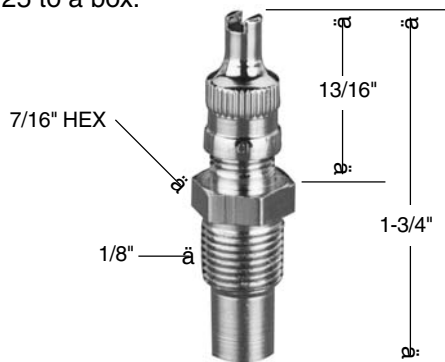
Model No. 06739 0000

Ball-foot air chuck with clip. Fits standard valve mouth. Saves holding on by hand. Has 1/4" port for connecting to hose. Packed 10 to a box.



Model No. 01468 0006

Has a 1/8" pipe thread part way up the stem which allows for minimum protrusion. N/P finish, has screwdriver type cap. Packed 25 to a box.



Model No. 06658 0000

Ball-foot air chuck with clip. Fits standard valve mouth. Shank fits 1/4" I.D. hose. Packed 10 to a box.



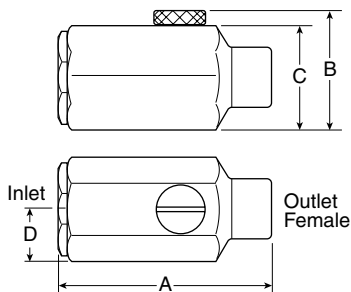


Features

- Extends the service life of air operated hand tools.
- Reduces downtime of air operated equipment, saves money.
- Small / lightweight.
- Automatic lubrication with air tool operation.
- Adjustable oil flow.
- Corrosion resistant.
- Full swivel outlet

Application

In-Line Lubricators assure proper lubrication for small pneumatic hand tools. These in-line lubricators put the oil source right at the tool. Oil capacity is 1/4 oz. (1 ml), enough to last through an average 8-hour shift. This lubricator requires cyclical or intermittent airflow for proper operation, and consequently works best when installed at the tool inlet or on a short hose near the tool. The 02L cannot be filled under pressure.



Dimensions

Part Number	A	B	C	D
02LFB	2.65 (67)	1.305 (33)	1.125 (28.5)	.65 (16.5)
02L1B	2.93 (74)	1.305 (33)	1.125 (28.5)	.65 (16.5)
02L2B	3.19 (81)	1.305 (33)	1.125 (28.5)	.65 (16.5)

Inches (mm)

Ordering Information

Port Size	Female Threads Inlet / Female Threads Outlet	Female Threads Inlet / Male Threads Outlet
1/4"	02LFB	02L1B
3/8"	N/A	02L2B

Specifications

- Flow Capacity*** (1/4) 29 SCFM (13.6 dm³/s)
 (3/8) 30 SCFM (14.2 dm³/s)
- Operating Temperature** 32° to 150°F (0° to 65.5°C)
- Maximum Supply Pressure** 200 PSIG (13.8 bar)
- Oil Capacity** 0.25 oz. (7.4 cm³)
- Port Size** 1/4, 3/8 NPT / BSPT
- Weight** 0.2 lb. (0.1 kg)*
 Inlet pressure 90 PSIG (6.2 bar). Pressure drop 5 PSID (0.3 bar).

Materials of Construction

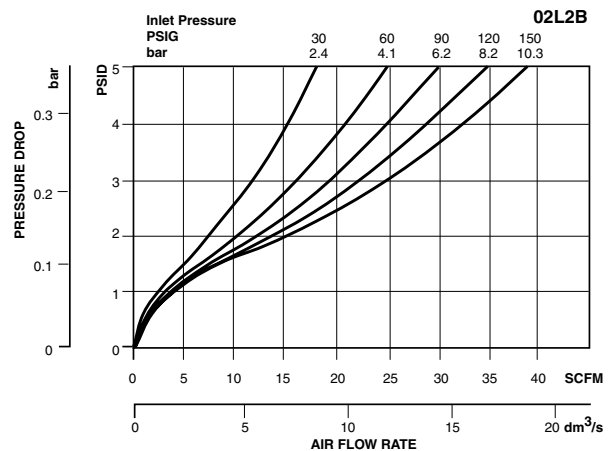
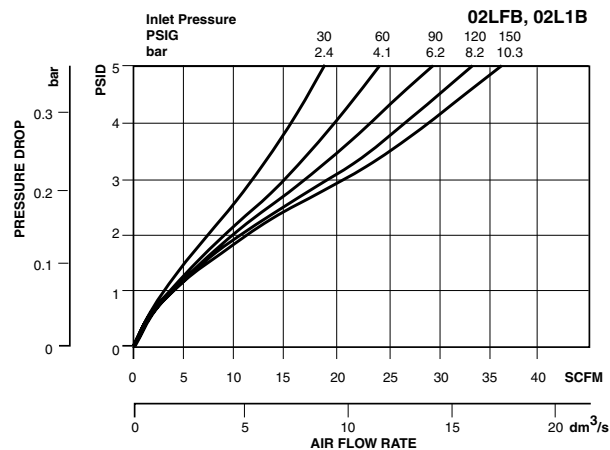
- Body** Aluminum
- Seals** Nitrile
- Suggested Lubricant** F442 Oil

Petroleum based oil of 100 to 200 SSU viscosity at 100°F and an aniline point greater than 200°F (DO NOT USE OILS WITH ADDITIVES, COMPOUNDED OILS CONTAINING SOLVENTS, GRAPHITE, DETERGENTS, OR SYNTHETIC OILS.)

- Oil – 1 Gal** F442002
- Quart Case** F442003
- Gallon Case** F442005

Replacement Kits

- Fill Plug Kit – Brass Fill Plug and O-ring** PS434
- O-ring Repair Kit** PS435





Application

Designed for compressed air or hydraulic service, rotating joints provide long, trouble-free service. They operate at pressures to 140 PSIG and speeds up to 1000 RPM.

Features

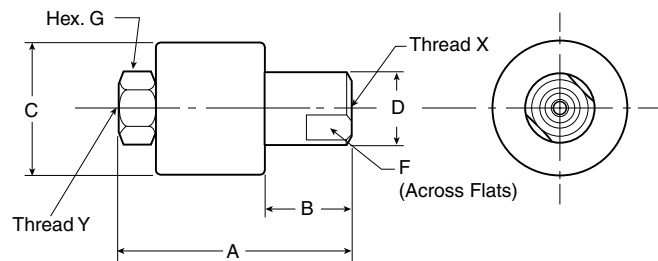
Pressure tight connections between a fixed and a rotating member make it possible to transmit fluids through axles, shafts, indexing tables, etc.

Ball bearings minimize rotating friction, assuring long life.

Ordering & Dimensional Information

Part Number	Port X	Port Y	Air Operating Pressure	Flow Capacity (SCFM)*
00831 0019B	1/8"	1/8"	Up to 400 PSIG	20
00832 0019B	1/4"	1/4"	Up to 300 PSIG	90
00834 0019B	1/2"	1/2"	Up to 150 PSIG	285

Part Number	Dimensions in Inches					
	A	B	C	D	F	G
00831 0019B	2.62	.90	1.37	.75	5/8	5/8
00832 0019B	3.19	1.12	1.62	1.00	7/8	7/8
00834 0019B	4.00	1.38	2.13	1.25	1-1/16	1-1/16



Replacement Parts

Part Number	A ₁ Rotor	B ₁ Retainer	C ₁ Packing	D ₁ Ball Bearing	E ₁ Retaining Ring
00831 0019B	00831 0020	00831 0040	00831 0050	00831 0060	05100 6039
00832 0019B	00832 0020	00832 0040	00832 0049	00832 0060	05100 6059
00834 0019B	00834 0012	00834 0014	00834 0015	00834 0016	05100 6078
Part Number	F ₁ Rotor Assembly	G ₁ Seal Ring	H ₁ "O" Ring	J ₁ Spring	K ₁ Ring
00831 0019B	00831 0080	00831 0030	03718 0012	00831 0070	03327 0050
00832 0019B	00832 0018	00832 0009	03718 0032	00832 0070	03327 0080
00834 0019B	00834 0018	00834 0013	03718 0036	00834 0017	03327 0100