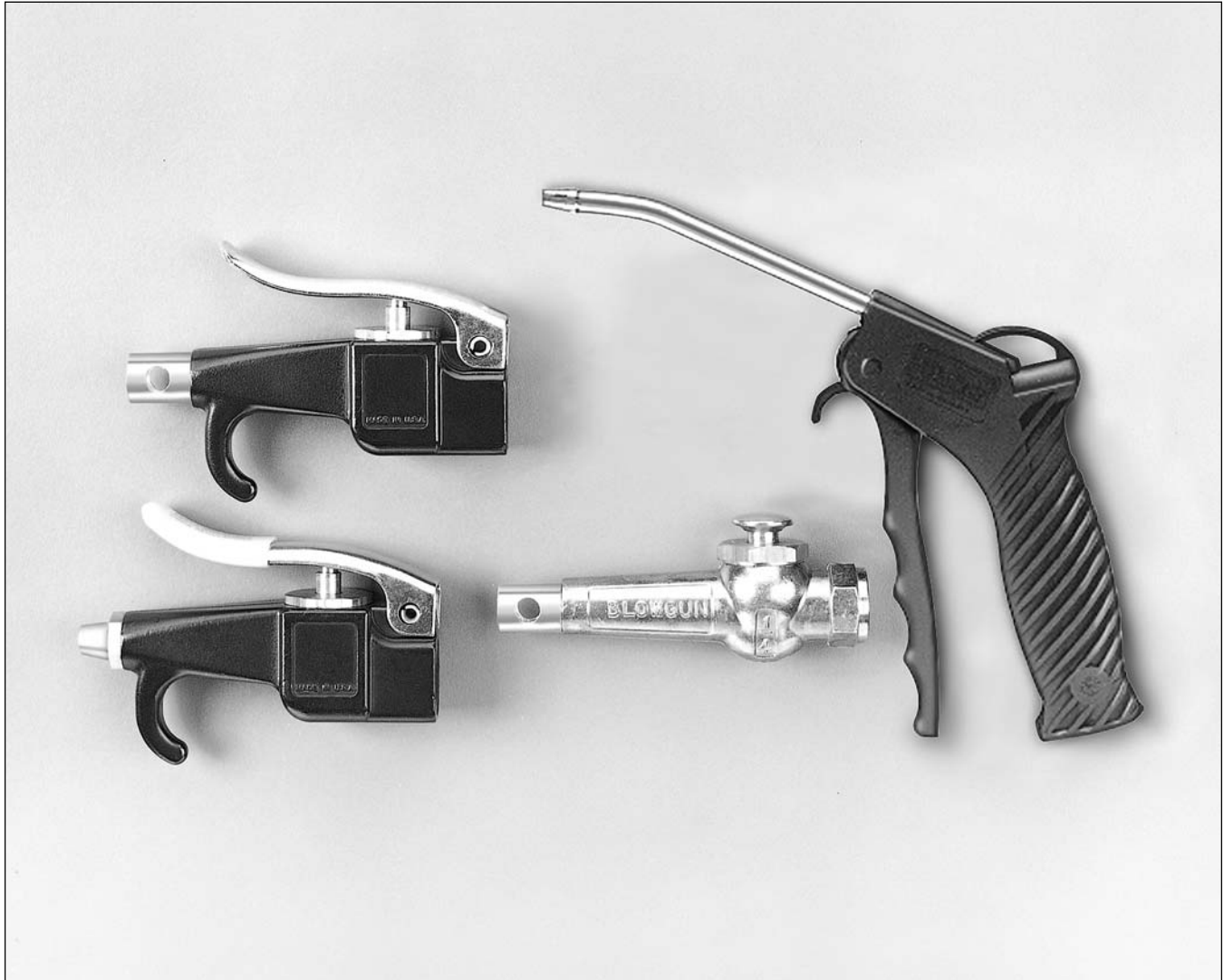


Safety Blow Guns	1-6	A
Ball Valves, Plug Valves	1-6	B
Lockout Valves	1-6	C
Flow Controls & Accessories	1-20	D
Fittings & Hose	1-12	E
Fittings & Tubing	1-70	F
Airline Accessories	1-4	G
Quick Couplings & Adapters	1-16	H
Offer of Sale		

Section A



Brass Nozzle & Aspirator Blow Guns	2
Vortec FLO-GAIN & Self Regulating Blow Guns	3
Button Type Brass & Pistol Grip Blow Guns	4
Blow Gun Accessories	5
Replacement Parts	6

O.S.H.A. Certification — All safety blow guns conform to the requirements of Compressed Air Standards as currently described in the U.S. Bureau of Labor Standards, paragraph 1910.242, when pressurized at the inlet to a maximum of 100 PSIG. Conform to current O.S.H.A. Directive No. 100-1.

Brass Nozzle Blow Guns

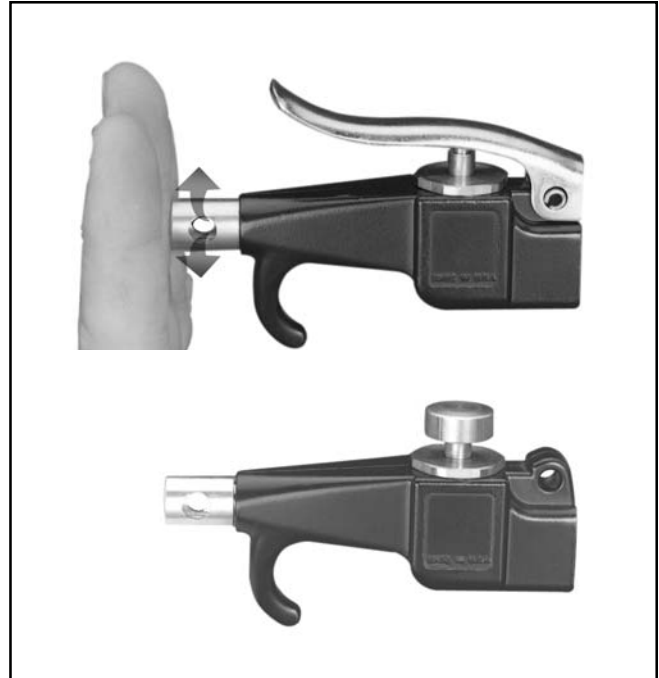
Contoured lever or button control both provide a natural, comfortable grip even when used with gloves. Finger guard and hang-up hook for finger protection and quick safe storage. Die cast zinc body, painted finish.

Lever Operated

Part Number	Inlet Port	SCFM Rating*
00475 0010	1/4"	20

Button Operated

Part Number	Inlet Port	SCFM Rating*
00470 0010	1/4"	20



*Based on 100 PSIG inlet pressure.

Aspirator Blow Guns

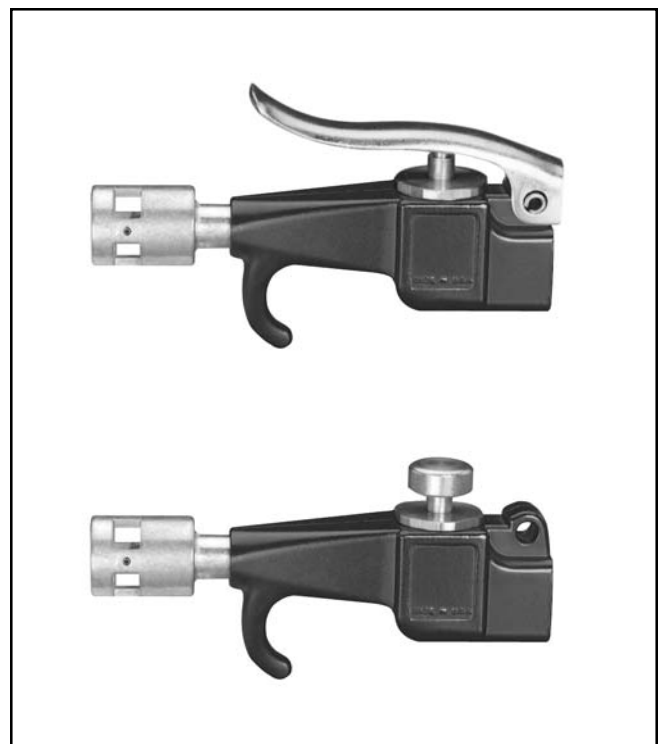
Dual air shield provides wide fan of air to reduce chip blow back. Secondary shielding is provided by four radial holes for close in work. Aspirator nozzle gives heavy duty chip blowing performance without exceeding legal limits. Pressure relieves to safe limits if nozzle is blocked. Finger guard and hang-up hook offer desirable finger protection and quick secure storage. Die cast zinc body, painted finish.

Lever Operated

Part Number	Inlet Port	SCFM Rating*
00475 0474	1/4"	74.5

Button Operated

Part Number	Inlet Port	SCFM Rating*
00470 0474	1/4"	74.5



*Based on 100 PSIG inlet pressure.

Vortec FLO-GAIN Blow Guns

A quiet Vortec FLO-GAIN nozzle is combined with a high performance blow gun. Compressed air attains sonic velocity through an adjustable slot and attaches to the exterior surface of the cone shaped nozzle. Settings are shown on a micrometer dial. Sound level of 80 dBA with 80 PSIG inlet. Finger guard and hang-up hook offers desirable finger protection and quick secure storage. Die cast zinc body, painted finish.

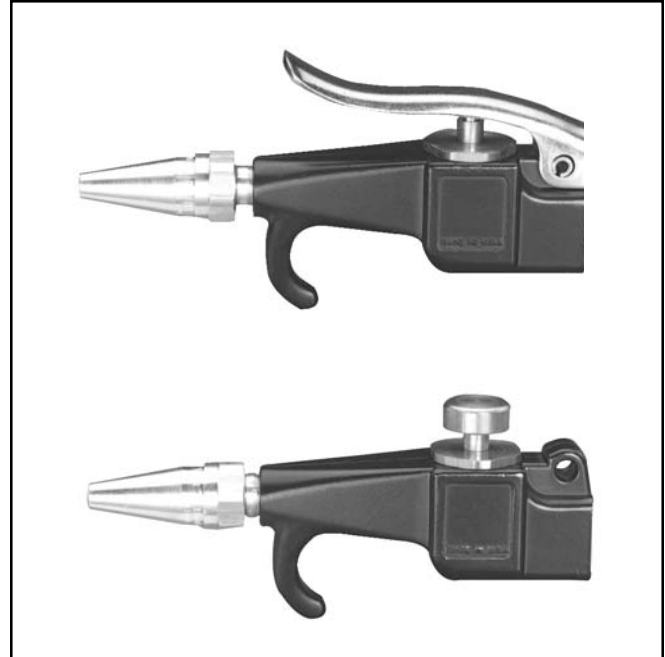
Lever Operated

Part Number	Inlet Port	SCFM Rating*
00475 0900	1/4"	70+

Button Operated

Part Number	Inlet Port	SCFM Rating*
00470 0900	1/4"	70+

*Based on 100 PSIG inlet pressure.



A

Self-Regulating Blow Gun

Designed with integral self-regulating pressure reducing valve for automatic shut-off when nozzle is blocked. Prevents air pressure buildup over 30 PSIG in compliance with U.S. Dept. of Labor standards.

Air shield aids in protecting the operator against blow back of flying chips of dirt. Designed to operate at less than 90 dBA to comply with government regulations. Die cast zinc body, painted finish.

May be used with nozzle extensions on Page 5.

Ordering Information

Part Number	Inlet Port	SCFM Rating*
00475 2900	1/4"	10

Performance Data

Inlet Pressure	Blocked Pressure	Sound Level
70 PSIG	17.0 PSIG	79 dBA
100 PSIG	21.0 PSIG	83 dBA
175 PSIG	28.0 PSIG	87 dBA

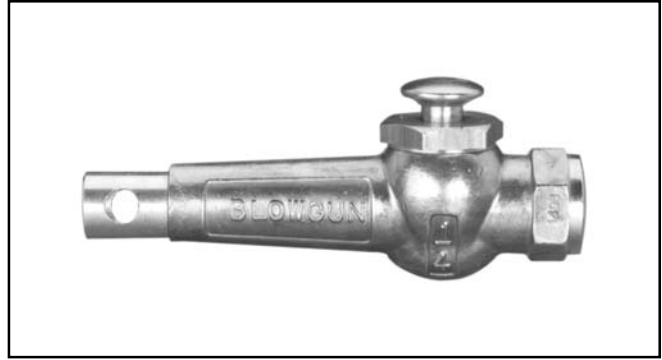
*Based on 100 PSIG inlet pressure.



Button Type Brass Blow Gun

These general purpose blow guns are ideal for almost any cleaning purpose. Their drop forged brass bodies provide strength and long life. Corrosion resistant parts. May be used for spraying many light liquids. Available with standard brass nozzle.

Part Number	Inlet Port	SCFM Rating*
07184 1000	1/4"	20



*Based on 100 PSIG inlet pressure.

Pistol Grip Blow Gun

Pistol grip is easy to aim for quick and efficient cleaning. Ideal for all shop housekeeping purposes. Lightweight and easy to handle. Easy trigger action features instant spring adjustment for controlled air. Get the amount of air where you want it with no restrictions, no cut-offs! Makes for a convenient connection for overhead or underbench floor air use.

Part Number	Inlet Port	SCFM Rating*
BG441-NBL	1/4"	11.0



*Based on 100 PSIG inlet pressure.

Brass Nozzle

Model No. 00470 7020

General purpose nozzles are supplied as standard on 00470 0010, 00475 0010 and 07184 1000 blow guns. Conform to the requirements of the Williams Steiger Occupational Safety and Health Act of 1970, paragraph 1910.242 when fitted with blow guns pressurized at the inlet to a maximum of 100 PSIG. Conform to O.S.H.A. Directive 100-1.

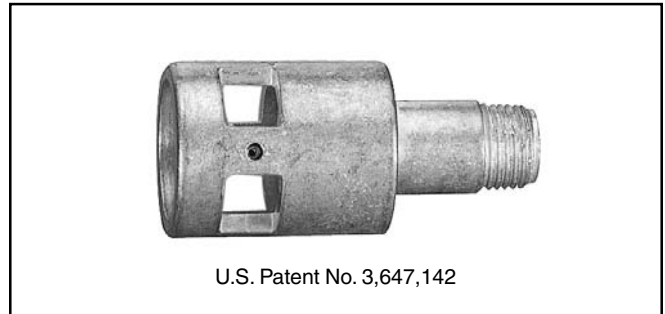


A

Aspirator Nozzle

Model No. 00474 1000

Protect against personal injury by relieving pressure if the nozzle end is blocked. Develop exceptionally high flow rates which insure effective cleaning. Conform to the requirements of the Williams Steiger Occupational Safety and Health Act of 1970, paragraphs 1910.95 and 1910.242 when fitted with blow guns pressurized at the inlet to a maximum of 100 PSIG. Conform to O.S.H.A. Directive 100-1.



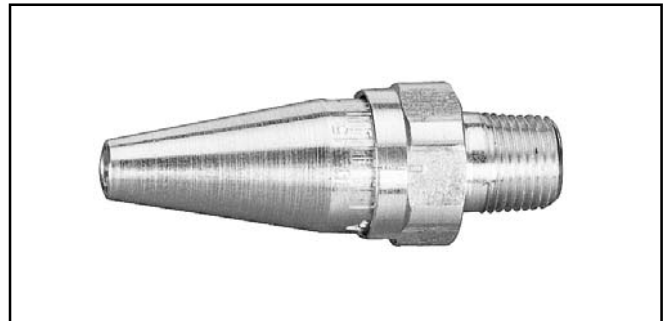
U.S. Patent No. 3,647,142

FLO-GAIN Nozzle

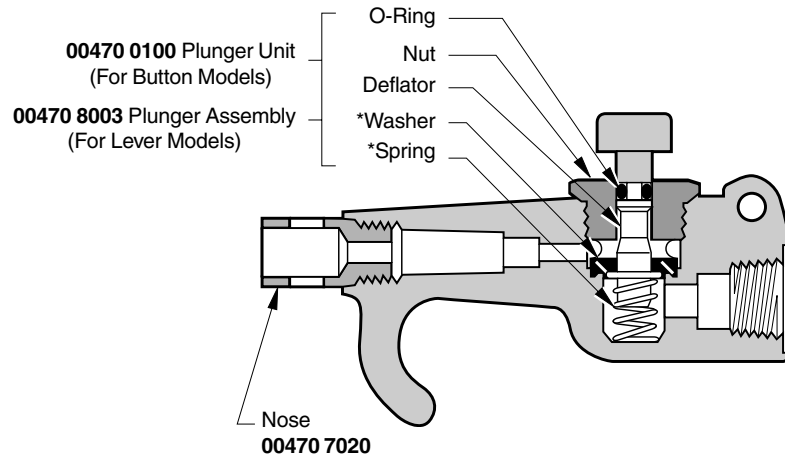
Model No. W1110 0900

This FLO-GAIN nozzle is the most widely used of the transvector products for industrial blow off. Compressed air attains sonic velocity through an adjustable slot and attaches to the cone shaped exterior surface of the nozzle. Induction and entrainment take place outside the nozzle. Factory slot setting is .008 inch, but is adjustable from closed to .012 inch. A micrometer dial allows adjustment without the use of shims or gauges.

Must be used with filtered air.

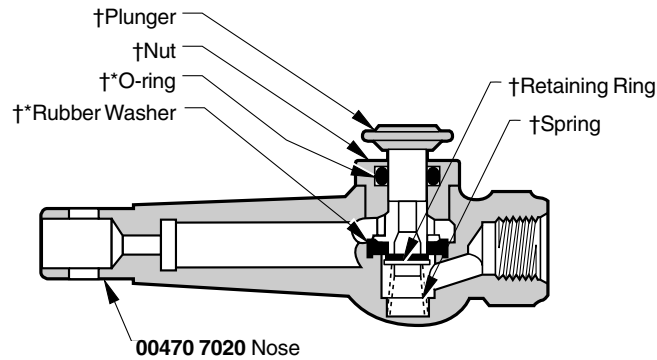


470 and 475 Series Blow Guns



* Contained in Service Kit No. **00470 0090**

Button Type Brass Blow Gun



† Contained in Plunger Unit **07184 8000**

* Contained in Service Kit No. **07184 8001**

Made in England