

**⚠ WARNING**

To avoid unpredictable system behavior that can cause personal injury and property damage:

- Disconnect electrical supply (when necessary) before installation, servicing, or conversion.
- Disconnect media source and depressurize all media lines connected to this product before installation, servicing, or conversion.
- Operate within the manufacturer's specified pressure, temperature, and other conditions listed in these instructions.
- Medium must be moisture-free if ambient temperature is below freezing.
- Service according to procedures listed in these instructions.
- Installation, service, and conversion of these products must be performed by knowledgeable personnel who understand how pneumatic products are to be applied.
- After installation, servicing, or conversion, media and electrical supplies (when necessary) should be connected and the product tested for proper function and leakage. If audible leakage is present, or the product does not operate properly, do not put into use.
- Warnings and specifications on the product should not be covered by paint, etc. If masking is not possible, contact your local representative for replacement labels.

**Introduction**

Follow these instructions when installing, operating, or servicing the product.

**Application Limits**

These products are intended for use in general purpose compressed media systems only.

**Operating Pressure:**

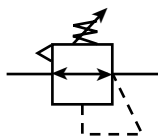
	kPa	PSIG	bar
Maximum Inlet Pressure	2068	300	21.0

**Ambient Temperature Range:** 4°C to 49°C (40°F to 120°F)

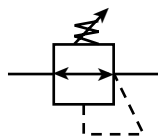
**⚠ WARNING**

**Product rupture can cause serious injury.  
 Do not connect regulator to bottled gas.  
 Do not exceed maximum primary pressure rating.**

**Symbols**



Relieving Regulator Adjustable



Non-Relieving Regulator Adjustable

**Installation**

1. The regulator should be installed with reasonable accessibility for service whenever possible - repair service kits are available. Keep pipe and tubing lengths to a minimum with inside clean and free of dirt and chips. Pipe joint compound should be used sparingly and applied only to the male pipe - never into the female port. Do not use PTFE tape to seal pipe joints - pieces have a tendency to break off and lodge inside unit, possibly causing malfunction.
2. Install regulator so that media flow is in the direction of arrow. Installation must be upstream (high pressure) side and as close to the devices it is to service (valve, cylinder, tool, etc.). Mounting may be in any position.
3. Gauge ports are located on both sides of the regulator body for your convenience. It is necessary to install a gauge or pipe plugs into each port during installation.
4. For protection against rust, pipe scale, and other foreign matter, install a filter on the upstream (high pressure) side as close to the regulator as possible.

**Reduced Pressure Adjustment**

To adjust reduced pressure settings, loosen lock screw in center of knob and turn knob clockwise to increase pressure setting, and counterclockwise to lower setting. With relieving-type regulators, the reduced pressure follows adjustment of the screw. With non-relieving regulators, adjustment for lower reduced pressure will not be obtained until the reduced pressure system is "bled off" or until air flow starts.

**⚠ WARNING**

**FAILURE OR IMPROPER SELECTION OR IMPROPER USE OF THE PRODUCTS AND/OR SYSTEMS DESCRIBED HEREIN OR RELATED ITEMS CAN CAUSE DEATH, PERSONAL INJURY AND PROPERTY DAMAGE.**

This document and other information from The Company, its subsidiaries and authorized distributors provide product and/or system options for further investigation by users having technical expertise. It is important that you analyze all aspects of your application, including consequences of any failure and review the information concerning the product or systems in the current product catalog. Due to the variety of operating conditions and applications for these products or systems, the user, through its own analysis and testing, is solely responsible for making the final selection of the products and systems and assuring that all performance, safety and warning requirements of the application are met.

The products described herein, including without limitation, product features, specifications, designs, availability and pricing, are subject to change by The Company and its subsidiaries at any time without notice.

**EXTRA COPIES OF THESE INSTRUCTIONS ARE AVAILABLE FOR INCLUSION IN EQUIPMENT / MAINTENANCE MANUALS THAT UTILIZE THESE PRODUCTS. CONTACT YOUR LOCAL REPRESENTATIVE.**

## Service

⚠ **Caution:** Disconnect or shut off air supply and exhaust the primary and secondary pressures before servicing unit. Turning the Adjusting Knob counterclockwise does not vent downstream pressure on non-relieving regulators. Downstream pressure must be vented before servicing regulator.

⚠ **Caution:** Grease packets are supplied with kits for lubrication of seals. Use only mineral based grease or oils. Do not use synthetic oils such as esters. Do not use silicones.

**Note:** After servicing unit, turn on air supply and adjust regulator to the desired downstream pressure. Check unit for leaks. If leakage occurs, do not operate - conduct repairs and retest.

## Cleaning

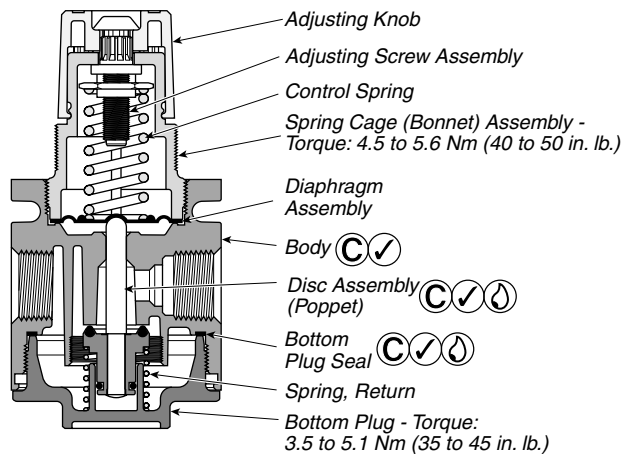
Erratic regulator operation or loss of regulation is most always due to dirt in the disc area. To clean, shut off and depressurize air line, and disassemble the regulator. Refer to drawing as a guide to disassembly and subsequent reassembly. Clean parts with household soap and blow out body with compressed air. When reassembling, make sure the disc assembly is firmly in place, and that the disc stem fits into center hole of diaphragm assembly. Tighten cage slightly more than hand tight (to 50 inch pounds torque).

## Service Kits / Parts Available

Description	Product Number
Regulator Repair Kit (Relieving)	RKR55

## Accessories

Gauges	
0 to 60 PSI (0 to 4 bar)	275Y60S
0 to 160 PSI (0 to 11 bar)	275Y160S
0 to 300 PSI (0 to 21 bar)	275Y300S
Panel Mount Bracket / Nut	SA161X57
Panel Mount Nut	R05X51
Wall Mount Bracket	SAR55Y57



- ① Lightly grease with provided lubricant.
- ✓ Inspect for nicks, scratches, and surface imperfections. If present, reduced service life is probable and future replacement should be planned.
- Ⓒ Clean with lint-free cloth.